

biz varız!
we are here!

ürün katalođu
product catalogue
2021



Bilgeinox

According to the place that we are right now, the process of developments and aim, the future of Bilge Inox is to be a global brand and a cooperation, that he is already on the road. For making our success on going in a well rounded, competetive international market, we will keep going on the process of being more corporate on aiming our targets, with puting our view to modern and scientific way to develope our corporate identity, not only from the top, but to the whole, in the way of scientific organisational principals and rules. Nothing would be same again, while the borders and geographies of the countries are changing according to the new world order. We are going on our way according to our middle & long term strategic plans and renew our aims. Through this, since now our company has made a justifiable success and make efford for developing the national economics and his sector and become a trustworthy, respected company. We proceed on our way with new approaches and medium & long term strategic plans, that we prepare. In this regard, our cooperation has contributed to the national economy up to today, thanks to its long years of expertise, experience and its position in the market and achieved a prestigious, reliable and a deserved success.

Kuruluşundan bu yana gösterdiği gelişimin seyri ve bulunduğu nokta itibariyle Bilgeinox'un bundan sonraki süreci "Dünya Markası ve Dünya Şirketi" olma sürecidir ve fiilen bu yola girmiş bulunmaktadır. Çok yönlü ve yoğun rekabetin sürdüğü dünya pazarlarında başarımızı sürekli kılabilmemiz için; Yönetimde, çağdaş ve bilimsel yönetim ve işletmecilik prensiplerini esas alan, kuruluşumuzun bugünkü ve gelecekteki hedeflerine yönelik, bilimsel organizasyon prensip ve kriterlerine göre yapılarak, sadece tepede değil her kademede kurumsallaşmayı geliştireceğiz yeni dünya düzeninde ülke coğrafyaları değişirken ve sınırlar yeniden çizilirken hiç bir şey eskisi gibi olmayacaktır. Bizler orta ve uzun vadeli hazırladığımız stratejik planlarla yolumuza yeni yaklaşımlarla devam etmekteyiz.

Bu yönde şirketimiz bugüne kadar uzun yıllar sektördeki konumu, birikimi ve tecrübesi ile sektöre ve Ülke ekonomisine değer katmış saygın güvenilir ve haklı bir başarı elde etmiştir.

Yönetim Kurulu Başkanı

Ergun BİLGE



Bilgeinox



Bilgeinox



Bilgeinox



Bilgeinox



Bilgeinox



Bilgeinox



Bilgeinox



Bilgeinox



Bilgeinox

01

Sinks, Neutral Furnishing
Eviyeler, Nötr Tezgahlar

5

02

S/S Kitchen Accessories
Paslanmaz Mutfak Aksesuarları

46

03

Service Line
Servis Hatları

68

04

Modular Cooker Tops
Modüler Pişiriciler

78

05

Dishwashing
Bulaşıkhanne

94

06

Bakery
Hamur Kazanları

100

Sinks, Neutral Furnishing Eviyeler, Nötr Tezgahlar



- | | |
|---|---|
| • Sink Units | <i>Göz Eviyeler</i> |
| • Sink Units With Uppertable | <i>Tablalı Eviyeler</i> |
| • Demountable Worktables With Sink Unit | <i>Eviyeli Demonte Çalışma Tezgahları</i> |
| • Demountable Worktables | <i>Demonte Çalışma Tezgahları</i> |
| • Demountable Worktables With Polyethylen Top | <i>Polietilen Çalışma Tezgahları</i> |
| • Worktables With Cupboard | <i>Dolaplı Çalışma Tezgahları</i> |
| • Wall Cupboards | <i>Duvar Dolapları</i> |
| • Demountable Wire Shelves | <i>Demonte İstif Rafları</i> |
| • Demountable Polypropylene Shelves | <i>Demonte Polipropilen İstif Rafları</i> |

Sinks, Neutral Furnishing

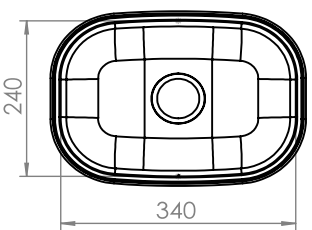
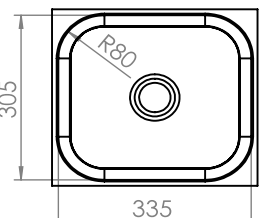
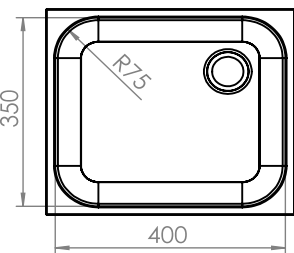
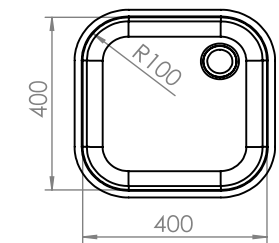
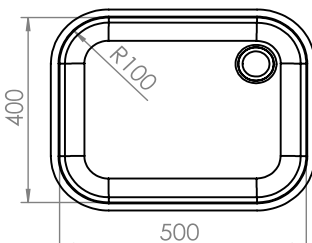
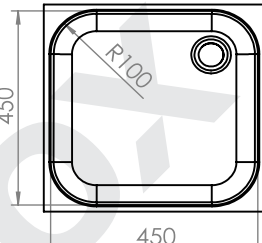
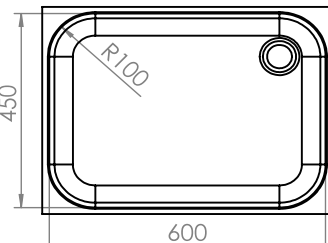
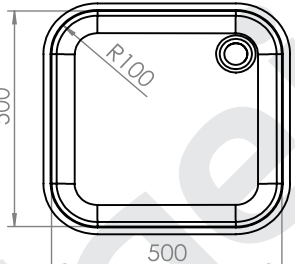
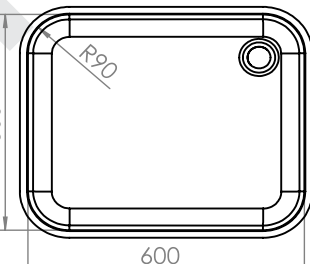
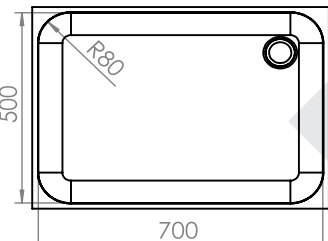
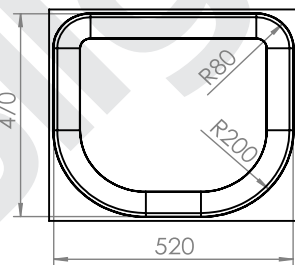
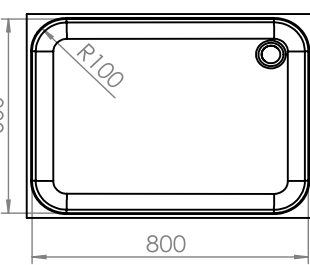
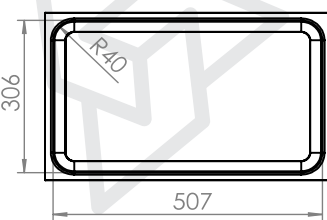
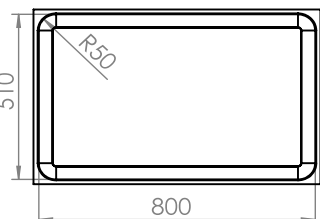
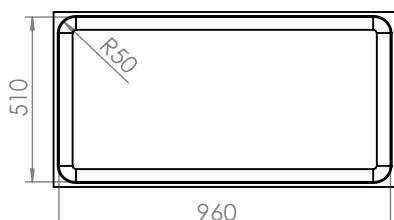
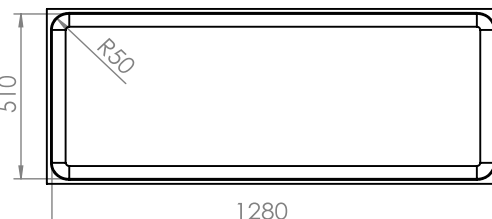
Industrial Sinks / Endüstriyel Eviyeler

AISI 304 Stainless Steel / Paslanmaz Çelik AISI 304



Code Kod	Description Açıklama	Ext. Dim. (mm.) Dış Ölçü (mm.)	Box Dim. (mm.) Koli Ölçü (mm.)	Palette Dim. Palet Ölçüsü	Box Unit Kutu Adedi	U.Price € B.Fiyat €
6000932	24x34x15 Evye / 24x34x15 Sink Unit	240x340x150	540X360X420	1100X900X2250	20-500	
6000969	40x40x25 Evye / 40x40x25 Sink Unit	400x400x250	460x890x570	920X880X2100	10-80	
6000982	40x40x30 Evye / 40x40x30 Sink Unit	400x400x300	460x890x570	920X880X2300	8-80	
6001230	40x50x25 Evye / 40x50x25 Sink Unit R.H.	400x500x250	540x890x570	1100X1100X2100	10-80	
6001232	40x50x25 Evye / 40x50x25 Sink Unit L.H.	400x500x250	540x890x570	1100X1100X2100	10-80	
6001007	40x50x30 Evye / 40x50x30 Sink Unit R.H.	400x500x300	540x890x570	1100X1100X2100	8-80	
6001009	40x50x30 Evye / 40x50x30 Sink Unit L.H.	400x500x300	540x890x570	1100X1100X2100	8-80	
6001193	45x45x25 Evye / 45x45x25 Sink Unit	450x450x250	550x550x660	1000X1000X2100	5-80	
6001198	45x45x30 Evye / 45x45x30 Sink Unit	450x450x300	550x550x660	1000X1000X2100	5-80	
6001239	45x60x30 Evye / 45x60x30 Sink Unit R.H.	450x600x300	550x660x610	1250X1100X2100	5-80	
6001237	45x60x30 Evye / 45x60x30 Sink Unit L.H.	450x600x300	550x660x610	1250X1100X2100	5-80	
6001039	50x50x25 Evye / 50x50x25 Sink Unit	500x500x250	550x550x660	1100X1100X2100	5-80	
6001052	50x50x30 Evye / 50x50x30 Sink Unit	500x500x300	550x550x660	1100X1100X2100	5-80	
6001058	50x50x45 Evye / 50x50x45 Sink Unit	500x500x450	540x890x570	-	3	
6001064	50x60x25 Evye / 50x60x25 Sink Unit R.H.	500x600x250	550x660x610	1250X1100X2100	5-80	
6001066	50x60x25 Evye / 50x60x25 Sink Unit L.H.	500x600x250	550x660x610	1250X1100X2100	5-80	
6001245	50x60x30 Evye / 50x60x30 Sink Unit R.H.	500x600x300	550x660x610	1250X1100X2100	5-80	
6001247	50x60x30 Evye / 50x60x30 Sink Unit L.H.	500x600x300	550x660x610	1250X1100X2100	5-80	
6000938	35x40x17 Evye / 35x40x17 Sink Unit	350x400x170	460x890x500	-	10	
6001219	35x40x20 Evye / 35x40x20 Sink Unit	350x400x200	460x890x500	750X900X2100	10-80	
6000735	30x33x15 Evye / 30x33x15 Sink Unit	305x335x150	540X360X420	730X1000X2100	10-90	
6000740	30x33x20 Evye / 30x33x20 Sink Unit	305x335x200	540X360X420	730X1000X2100	10-90	
6000743	30x33x25 Evye / 30x33x25 Sink Unit	305x335x250	540X360X420	730X1000X2100	10-72	
6005306	Water Fountain Tank 41x46x40	410x460x400	460x890x500	-	2	
6005310	Lid for Water Fountain Tank	410x460	550x660x120	-	10	
6005837	Handwash Basin (Eliptical)	450x500x150	530x530x530	-	10	
6000931	30x50x30 Evye / 30x50x30 Sink Unit	300x500x300	540x890x570	-	8	
6007040	30x50x35 Evye / 30x50x35 Sink Unit	300x500x300	540x890x570	-	8	
6001117	50x70x35 Evye / 50x70x35 Sink Unit L.H.	500x700x350	-	750X1100X2100	1-10	
6001212	50x70x40 Evye / 50x70x40 Sink Unit L.H.	500x700x400	-	750X1100X2100	1-10	
6000856	51x80x25 Evye / 51x80x25 Sink Unit	510x800x250	-	-	0	
6001347	60x80x33 Evye / 60x80x33 Sink Unit R.H.	600x800x330	-	1320X850X1900	1-10	
6001349	60x80x33 Evye / 60x80x33 Sink Unit L.H.	600x800x330	-	1320X850X1900	1-10	
6000796	51x96x30 Evye / 51x96x30 Sink Unit	510x960x300	1220X670X370	1100X1110X1950	1-12	
6000799	51x96x38 Evye / 51x96x38 Sink Unit	510x960x380	-	-	-	
6000847	51x128x30 Evye / 51x128x30 Sink Unit	510x1280x300	-	-	-	

EVİYELER (SINKS)

 <p>H:150mm</p>	 <p>H:150mm H:200mm H:220mm</p>	 <p>H:170mm H:200mm</p>
 <p>H:250mm H:300mm</p>	 <p>H:250mm H:300mm</p>	 <p>H:250mm H:300mm</p>
 <p>H:250mm H:300mm</p>	 <p>H:250mm H:300mm</p>	 <p>H:250mm H:300mm</p>
 <p>H:300mm H:350mm H:400mm H:460mm</p>	 <p>H:250mm</p>	 <p>H:300mm H:330mm</p>
 <p>H:250mm H:300mm</p>	 <p>H:200mm H:250mm</p>	
 <p>H:300mm H:380mm H:420mm</p>	 <p>H:300mm H:330mm</p>	

Sinks, Neutral Furnishing

Double Sink Units with Right-Hand Driptray Tablalı, Çift Eviyeli, Sağ Damlalıklı

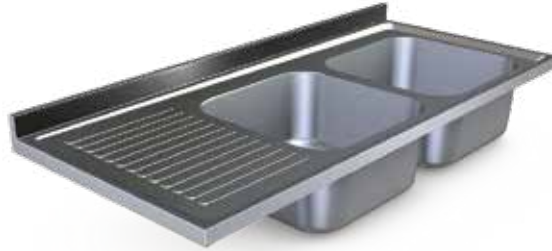
AISI 304 Stainless Steel / Paslanmaz Çelik AISI 304
with 60mm. Standard Backsplash (100 mm. optional)
60mm. Standart Sırtlı (100mm. sırt opsiyonel)



Code Kod	Description Açıklama	Ext. Dim. (mm.) Dış Ölçü (mm.)	Box Dim. (mm.) Koli Ölçü (mm.)	Palette Dim. Palet Ölçüsü	Box Unit Kutu Adedi	U.Price € B.Fiyat €
6001447	Çift Eviye / Double Sink(40x40x25)	1400x600	1420x670x520	1420x630x2300	3-13	
6001449	Çift Eviye / Double Sink(40x50x25)	1400x600	1420x670x520	1420x630x2300	3-13	
6001464	Çift Eviye / Double Sink(40x40x25)	1500x600	1620x670x520	1520x630x2300	3-13	
6002299	Çift Eviye / Double Sink(40x50x25)	1500x600	1620x670x520	1520x630x2300	3-13	
6001481	Çift Eviye / Double Sink(40x40x25)	1600x600	1620x670x520	1520x630x2300	3-13	
6001483	Çift Eviye / Double Sink(40x50x25)	1600x600	1620x670x520	1520x630x2300	3-13	
6001513	Çift Eviye / Double Sink(40x50x25)	1800x600	1820x670x520	1820x630x2000	3-13	
6001765	Çift Eviye / Double Sink(40x50x25)	1900x600	1920x670x520	1920x630x2000	3-13	
6002213	Çift Eviye / Double Sink(40x50x25)	2000x600	2020x670x520	2020x630x2000	3-13	
6001832	Çift Eviye / Double Sink(40x50x25)	1400x700	1420x770x520	1420x740x2000	3-13	
6002158	Çift Eviye / Double Sink(40x50x25)	1500x700	1620x770x520	1620x740x2300	3-13	
6002161	Çift Eviye / Double Sink(40x50x25)	1600x700	1620x770x520	1620x740x2300	3-13	
6002316	Çift Eviye / Double Sink(50x50x30)	1600x700	1620x770x520	1620x740x2300	3-13	
6001571	Çift Eviye / Double Sink(50x50x30)	1800x700	1820x770x520	1820x740x2300	3-13	
6001572	Çift Eviye / Double Sink(50x60x30)	1800x700	1820x770x520	1820x740x2300	3-13	
6001595	Çift Eviye / Double Sink(50x50x30)	1900x700	1920x770x520	1920x740x2300	3-13	
6001596	Çift Eviye / Double Sink(50x60x30)	1900x700	1920x770x520	1920x740x2300	3-13	
6001617	Çift Eviye / Double Sink(50x50x30)	2000x700	2020x770x520	2020x740x2300	3-13	
6001618	Çift Eviye / Double Sink(50x60x30)	2000x700	2020x770x520	2020x740x2300	3-13	

Double Sink Units with Left-Hand Driptray Tablalı, Çift Eviyeli, Sol Damlalıklı

AISI 304 Stainless Steel / Paslanmaz Çelik AISI 304
with 60mm. Standard Backsplash (100 mm. optional)
60mm. Standart Sırtlı (100mm. sırt opsiyonel)



Code Kod	Description Açıklama	Ext. Dim. (mm.) Dış Ölçü (mm.)	Box Dim. (mm.) Koli Ölçü (mm.)	Palette Dim. Palet Ölçüsü	Box Unit Kutu Adedi	U.Price € B.Fiyat €
6001451	Çift Eviye / Double Sink(40x40x25)	1400x600	1420x670x520	1420x630x2000	3-13	
6001453	Çift Eviye / Double Sink(40x50x25)	1400x600	1420x670x520	1420x630x2000	3-13	
6001467	Çift Eviye / Double Sink(40x40x25)	1500x600	1620x670x520	1620x630x2000	3-13	
6002301	Çift Eviye / Double Sink(40x50x25)	1500x600	1620x670x520	1620x630x2000	3-13	
6001487	Çift Eviye / Double Sink(40x40x25)	1600x600	1620x670x520	1620x630x2000	3-13	
6001489	Çift Eviye / Double Sink(40x50x25)	1600x600	1620x670x520	1620x630x2000	3-13	
6001517	Çift Eviye / Double Sink(40x50x25)	1800x600	1820x670x520	1820x630x2000	3-13	
6002211	Çift Eviye / Double Sink(40x50x25)	1900x600	1920x670x520	1920x630x2000	3-13	
6002215	Çift Eviye / Double Sink(40x50x25)	2000x600	2020x670x520	2020x630x2000	3-13	
6001838	Çift Eviye / Double Sink(40x50x25)	1400x700	1420x770x520	1420x740x2000	3-13	
6001527	Çift Eviye / Double Sink(40x50x25)	1500x700	1620x770x520	1620x740x2300	3-13	
6001545	Çift Eviye / Double Sink(40x50x25)	1600x700	1620x770x520	1620x740x2300	3-13	
6001547	Çift Eviye / Double Sink(50x50x30)	1600x700	1620x770x520	1620x740x2300	3-13	
6002179	Çift Eviye / Double Sink(50x50x30)	1800x700	1820x770x520	1820x740x2300	3-13	
6001576	Çift Eviye / Double Sink(50x60x30)	1800x700	1820x770x520	1820x740x2300	3-13	
6001599	Çift Eviye / Double Sink(50x50x30)	1900x700	1920x770x520	1920x740x2300	3-13	
6002181	Çift Eviye / Double Sink(50x60x30)	1900x700	1920x770x520	1920x740x2300	3-13	
6001623	Çift Eviye / Double Sink(50x50x30)	2000x700	2020x770x520	2020x740x2300	3-13	
6002327	Çift Eviye / Double Sink(50x60x30)	2000x700	2020x770x520	2020x740x2300	3-13	

Sinks, Neutral Furnishing

Single Sink Units with Right-Hand Driptray Tablalı, Tek Eviyeli, Sağ Damlalıklı

AISI 304 Stainless Steel / Paslanmaz Çelik AISI 304
with 60mm. Standard Backsplash (100 mm. optional)
60mm. Standart Sırtlı (100mm. sırt opsiyonel)



Code Kod	Description Açıklama	Ext. Dim. (mm.) Dış Ölçü (mm.)	Box Dim. (mm.) Koli Ölçü (mm.)	Palette Dim. Palet Ölçüsü	Box Unit Kutu Adedi	U.Price € B.Fiyat €
6001735	Tek Eviye / Single Sink(40x40x25)	1000x600	1020x670x520	1020x630x2000	3-13	
6006506	Tek Eviye / Single Sink(40x50x25)	1000x600	1020x670x520	1020x630x2000	3-13	
6001746	Tek Eviye / Single Sink(40x40x25)	1200x600	1220x670x520	1220x630x2000	3-13	
6001748	Tek Eviye / Single Sink(40x50x25)	1200x600	1220x670x520	1220x630x2000	3-13	
6001436	Tek Eviye / Single Sink(40x50x25)	1400x600	1420x670x520	1420x630x2000	3-13	
6001457	Tek Eviye / Single Sink(40x50x25)	1500x600	1620x670x520	1620x630x2000	3-13	
6001471	Tek Eviye / Single Sink(40x50x25)	1600x600	1620x670x520	1620x630x2000	3-13	
6001507	Tek Eviye / Single Sink(40x50x25)	1800x600	1820x670x520	1820x630x2000	3-13	
6002359	Tek Eviye / Single Sink(40x50x25)	2000x600	2020x670x520	2020x630x2000	3-13	
6001788	Tek Eviye / Single Sink(40x50x25)	1000x700	1020x770x520	1020x730x2000	3-13	
6002362	Tek Eviye / Single Sink(50x50x30)	1000x700	1020x770x520	1020x730x2000	3-13	
6002220	Tek Eviye / Single Sink(40x50x25)	1200x700	1220x770x520	1220x740x2000	3-13	
6001801	Tek Eviye / Single Sink(50x50x30)	1200x700	1220x770x520	1220x740x2000	3-13	
6001821	Tek Eviye / Single Sink(40x50x25)	1400x700	1420x770x520	1420x740x2000	3-13	
6002223	Tek Eviye / Single Sink(50x50x30)	1400x700	1420x770x520	1420x740x2000	3-13	
6001844	Tek Eviye / Single Sink(40x50x25)	1500x700	1620x770x520	1620x740x2300	3-13	
6002160	Tek Eviye / Single Sink(40x50x25)	1600x700	1620x770x520	1620x740x2300	3-13	
6002313	Tek Eviye / Single Sink(50x50x30)	1600x700	1620x770x520	1620x740x2300	3-13	
6002322	Tek Eviye / Single Sink(50x50x30)	1800x700	1820x770x520	1820x740x2300	3-13	
6001585	Tek Eviye / Single Sink(50x50x30)	1900x700	1920x770x520	1920x740x2300	3-13	
6002183	Tek Eviye / Single Sink(50x50x30)	2000x700	2020x770x520	2020x740x2300	3-13	

Single Sink Units with Left-Hand Driptray Tablalı, Tek Eviyeli, Sol Damlalıklı

AISI 304 Stainless Steel / Paslanmaz Çelik AISI 304
with 60mm. Standard Backsplash (100 mm. optional)
60mm. Standart Sırtlı (100mm. sırt opsiyonel)



Code Kod	Description Açıklama	Ext. Dim. (mm.) Dış Ölçü (mm.)	Box Dim. (mm.) Koli Ölçü (mm.)	Palette Dim. Palet Ölçüsü	Box Unit Kutu Adedi	U.Price € B.Fiyat €
6001739	Tek Evye / Single Sink(40x40x25)	1000x600	1020x670x520	1020x630x2000	3-13	
6001741	Tek Evye / Single Sink(40x50x25)	1000x600	1020x670x520	1020x630x2000	3-13	
6001754	Tek Evye / Single Sink(40x40x25)	1200x600	1220x670x520	1220x630x2000	3-13	
6002291	Tek Evye / Single Sink(40x50x25)	1200x600	1220x670x520	1220x630x2000	3-13	
6001441	Tek Evye / Single Sink(40x50x25)	1400x600	1420x670x520	1420x630x2000	3-13	
6001460	Tek Evye / Single Sink(40x50x25)	1500x600	1620x670x520	1620x630x2000	3-13	
6001476	Tek Evye / Single Sink(40x50x25)	1600x600	1620x670x520	1620x630x2000	3-13	
6001508	Tek Evye / Single Sink(40x50x25)	1800x600	1820x670x520	1820x630x2000	3-13	
6001774	Tek Evye / Single Sink(40x50x25)	2000x600	2020x670x520	2020x630x2000	3-13	
6002363	Tek Evye / Single Sink(40x50x25)	1000x700	1020x770x520	1020x730x2000	3-13	
6002365	Tek Evye / Single Sink(50x50x30)	1000x700	1020x770x520	1020x730x2000	3-13	
6002444	Tek Evye / Single Sink(40x50x25)	1200x700	1220x770x520	1220x740x2000	3-13	
6001806	Tek Evye / Single Sink(50x50x30)	1200x700	1220x770x520	1220x740x2000	3-13	
6001826	Tek Evye / Single Sink(40x50x25)	1400x700	1420x770x520	1420x740x2000	3-13	
6002367	Tek Evye / Single Sink(50x50x30)	1400x700	1420x770x520	1420x740x2000	3-13	
6001849	Tek Evye / Single Sink(40x50x25)	1500x700	1620x770x520	1620x740x2300	3-13	
6002315	Tek Evye / Single Sink(40x50x25)	1600x700	1620x770x520	1620x740x2300	3-13	
6001539	Tek Evye / Single Sink(50x50x30)	1600x700	1620x770x520	1620x740x2300	3-13	
6002175	Tek Evye / Single Sink(50x50x30)	1800x700	1820x770x520	1820x740x2300	3-13	
6001589	Tek Evye / Single Sink(50x50x30)	1900x700	1920x770x520	1920x740x2300	3-13	
6002184	Tek Evye / Single Sink(50x50x30)	2000x700	2020x770x520	2020x740x2300	3-13	

Sinks, Neutral Furnishing

Single Sink Units without Driptray (central sink) Tablalı, Tek Eviyeli, Damlalıksız (eviyeye ortada)

AISI 304 Stainless Steel / Paslanmaz Çelik AISI 304
with 60mm. Standard Backsplash (100 mm. optional)
60mm. Standart Sırtlı (100mm. sırt opsiyonel)



Code Kod	Description Açıklama	Ext. Dim. (mm.) Dış Ölçü (mm.)	Box Dim. (mm.) Koli Ölçü (mm.)	Palette Dim. Palet Ölçüsü	Box Unit Kutu Adedi	U.Price € B.Fiyat €
6001864	Tek Eviye / Single Sink(40x40x25)	600x600	740x740x520	1220x650x2000	5-40	
6002229	Tek Eviye / Single Sink(40x50x25)	700x600	740x740x520	1420x630x2000	5-40	
6001873	Tek Eviye / Single Sink(40x50x25)	800x600	820x890x620	1620x630x2000	3-40	
6001879	Tek Eviye / Single Sink(40x50x25)	1000x600	1020x670x520	1020x630x2000	3-13	
6001889	Tek Eviye / Single Sink(40x50x25)	1200x600	1220x670x520	1220x630x2000	3-13	
6001901	Tek Eviye / Single Sink(40x50x25)	1400x600	1420x670x520	1420x630x2000	3-13	
6002385	Tek Eviye / Single Sink(40x50x25)	1600x600	1620x670x520	1620x630x2000	3-13	
6002242	Tek Eviye / Single Sink(40x50x25)	1800x600	1820x670x520	1820x630x2000	3-13	
6002244	Tek Eviye / Single Sink(40x50x25)	2000x600	2020x670x520	2020x630x2000	3-13	
6001628	Tek Eviye / Single Sink(40x50x25)	2200x600	2220x670x520	2220x630x2000	3-13	
6001643	Tek Eviye / Single Sink(40x50x25)	600x700	740x740x520	1420x740x2000	4-40	
6002332	Tek Eviye / Single Sink(40x50x25)	700x700	740x740x520	1420x740x2000	4-40	
6001649	Tek Eviye / Single Sink(50x50x30)	700x700	740x740x520	1420x740x2000	4-40	
6001669	Tek Eviye / Single Sink(50x50x30)	1200x700	1220x770x520	1220x740x2000	4-13	
6001682	Tek Eviye / Single Sink(50x50x30)	1400x700	1420x770x520	1420x740x2000	3-13	
6001710	Tek Eviye / Single Sink(50x50x30)	1600x700	1620x770x520	1620x740x2300	3-13	
6001984	Tek Eviye / Single Sink(50x50x30)	2000x700	2020x770x520	2020x740x2000	2-13	
6001373	Tek Eviye / Single Sink(50x50x30)	2200x700	2420x770x520	2220x740x2000	2-13	
6001384	Tek Eviye / Single Sink(50x50x30)	2400x700	2420x770x520	2420x740x2000	2-13	

Double Sink Units without Drip tray (central sink) Tablalı, Çift Eviye, Damlalıksız (eviye ortada)

AISI 304 Stainless Steel / Paslanmaz Çelik AISI 304
with 60mm. Standard Backsplash (100 mm. optional)
60mm. Standart Sırtlı (100mm. sırt opsiyonel)



Code Kod	Description Açıklama	Ext. Dim. (mm.) Dış Ölçü (mm.)	Box Dim. (mm.) Koli Ölçü (mm.)	Palette Dim. Palet Ölçüsü	Box Unit Kutu Adedi	U.Price € B.Fiyat €
6001892	Çift Eviye / Double Sink(40x40x25)	1200x600	1220x670x520	1220x630x2300	3-20	
6001894	Çift Eviye / Double Sink(40x50x25)	1200x600	1220x670x520	1220x630x2300	3-20	
6001904	Çift Eviye / Double Sink(40x50x25)	1400x600	1420x670x520	1420x630x2300	3-20	
6001921	Çift Eviye / Double Sink(40x50x25)	1600x600	1620x670x520	1620x630x2300	3-20	
6001936	Çift Eviye / Double Sink(40x50x25)	1800x600	1820x670x520	1820x630x2300	3-20	
6001952	Çift Eviye / Double Sink(40x50x25)	2000x600	2020x670x520	2020x630x2300	3-20	
6001629	Çift Eviye / Double Sink(40x50x25)	2200x600	2220x670x520	2220x630x2300	3-20	
6002055	Çift Eviye / Double Sink(40x50x25)	2400x600	2420x770x520	2420x740x2300	2-20	
6002192	Çift Eviye / Double Sink(40x50x25)	1200x700	1220x770x520	1220x740x2300	3-20	
6002194	Çift Eviye / Double Sink(50x50x30)	1200x700	1220x770x520	1220x740x2300	3-20	
6001687	Çift Eviye / Double Sink(50x50x30)	1400x700	1420x770x520	1420x740x2300	3-20	
6002441	Çift Eviye / Double Sink(40x50x25)	1600x700	1620x770x520	1620x740x2300	3-20	
6001960	Çift Eviye / Double Sink(50x50x30)	1800x700	1820x770x520	1820x740x2300	3-20	
6001988	Çift Eviye / Double Sink(50x50x30)	2000x700	2020x770x520	2020x740x2300	2-20	
6001378	Çift Eviye / Double Sink(50x50x30)	2200x700	2420x770x520	2220x740x2000	2-13	
6001386	Çift Eviye / Double Sink(50x50x30)	2400x700	2420x770x520	2420x740x2300	2-20	

Sinks, Neutral Furnishing

Triple Sink Units without Drip tray

Tablalı, Üç Eviyeli, Damlalıksız (Eviyeler ortada)

AISI 304 Stainless Steel / Paslanmaz Çelik AISI 304
with 60mm. Standard Backsplash (100 mm. optional)
60mm. Standart Sırtlı (100mm. sırt opsiyonel)



Code Kod	Description Açıklama	Ext. Dim. (mm.) Dış Ölçü (mm.)	Box Dim. (mm.) Koli Ölçü (mm.)	Palette Dim. Palet Ölçüsü	Box Unit Kutu Adedi	U.Price € B.Fiyat €
6001938	Üç Eviye / Triple Sink(40x40x25)	1800x600	1820x670x520	1820x630x2300	3-20	
6001939	Üç Eviye / Triple Sink(40x50x25)	1800x600	1820x670x520	1820x630x2300	3-20	
6001947	Üç Eviye / Triple Sink(40x40x25)	1900x600	1920x670x520	1920x630x2300	3-20	
6001948	Üç Eviye / Triple Sink(40x50x25)	1900x600	1920x670x520	1920x630x2300	3-20	
6001966	Üç Eviye / Triple Sink(50x50x30)	1800x700	1820x770x520	1820x740x2300	2-20	
6001979	Üç Eviye / Triple Sink(50x50x30)	1900x700	1920x770x520	1920x740x2300	2-20	
6001992	Üç Eviye / Triple Sink(50x50x30)	2000x700	2020x770x520	2020x740x2300	2-20	

Quad Sink Unit without Drip tray

Tablalı, Dört Eviyeli, Damlalıksız (Eviyeler ortada)

AISI 304 Stainless Steel / Paslanmaz Çelik AISI 304
with 60mm. Standard Backsplash (100 mm. optional)
60mm. Standart Sırtlı (100mm. sırt opsiyonel)



Code Kod	Description Açıklama	Ext. Dim. (mm.) Dış Ölçü (mm.)	Box Dim. (mm.) Koli Ölçü (mm.)	Palette Dim. Palet Ölçüsü	Box Unit Kutu Adedi	U.Price € B.Fiyat €
6002058	Dört Eviye / Quad Sink(40x50x25)	2400x600	2420x770x520	-	2-0	

Single & Double Sink Units with Double Driptray Tablalı, Tek & Çift Eviyeli, Çift Damlalıklı

AISI 304 Stainless Steel / Paslanmaz Çelik AISI 304
with 60mm. Standard Backsplash (100 mm. optional)
60mm. Standart Sırtlı (100mm. sırt opsiyonel)

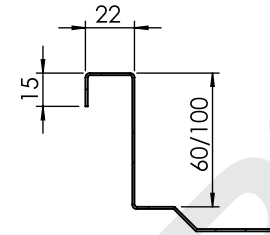
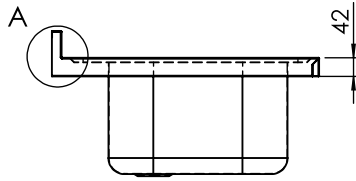
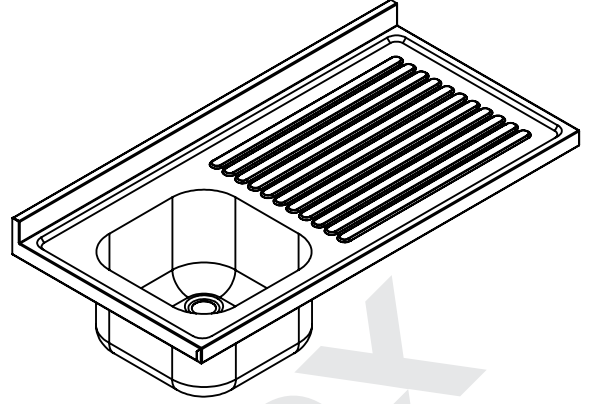
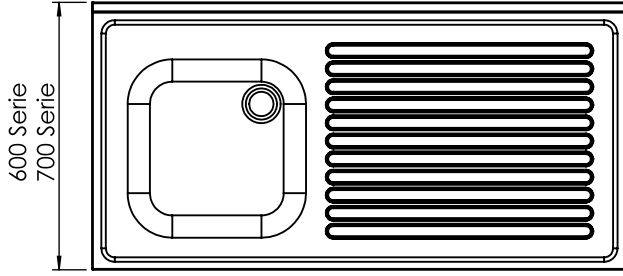


Code Kod	Description Açıklama	Ext. Dim. (mm.) Dış Ölçü (mm.)	Box Dim. (mm.) Koli Ölçü (mm.)	Palette Dim. Palet Ölçüsü	Box Unit Kutu Adedi	U.Price € B.Fiyat €
6001444	Tek Evye / Single Sink(40x40x25)	1400x600	1420x670x520	1420x630x2000	3-13	
6001445	Tek Evye / Single Sink(40x50x25)	1400x600	1420x670x520	1420x630x2000	3-13	
6001479	Tek Evye / Single Sink(40x40x25)	1600x600	1620x670x520	1620x630x2000	3-13	
6001480	Tek Evye / Single Sink(40x50x25)	1600x600	1620x670x520	1620x630x2000	3-13	
6001509	Tek Evye / Single Sink(40x40x25)	1800x600	1820x670x520	1820x630x2000	3-13	
6001510	Tek Evye / Single Sink(40x50x25)	1800x600	1820x670x520	1820x630x2000	3-13	
6001776	Tek Evye / Single Sink(40x50x25)	2000x600	2020x670x520	2020x630x2000	3-13	
6001842	Tek Evye / Single Sink(50x50x30)	1400x700	1420x770x520	1420x740x2000	3-13	
6001550	Tek Evye / Single Sink(50x50x30)	1600x700	1620x770x520	1620x740x2300	3-13	
6002176	Tek Evye / Single Sink(50x50x30)	1800x700	1820x770x520	1820x740x2300	3-13	
6001592	Tek Evye / Single Sink(50x50x30)	1900x700	1920x770x520	1920x740x2300	3-13	
6001613	Tek Evye / Single Sink(50x50x30)	2000x700	2020x770x520	2020x740x2300	3-13	
6002305	Çift Evye / Double Sink(40x40x25)	1600x600	1620x670x520	1620x630x2000	3-13	
6001756	Çift Evye / Double Sink(40x50x25)	1800x600	1820x670x520	1820x630x2000	3-13	
6001769	Çift Evye / Double Sink(40x40x25)	1900x600	1920x670x520	1920x630x2000	3-13	
6002358	Çift Evye / Double Sink(40x50x25)	1900x600	1920x670x520	1920x630x2000	3-13	
6001579	Çift Evye / Double Sink(50x50x30)	1800x700	1820x770x520	1820x740x2300	3-20	
6001601	Çift Evye / Double Sink(50x50x30)	1900x700	1920x770x520	1920x740x2300	3-20	
6001853	Çift Evye / Double Sink(50x50x30)	2000x700	2020x770x520	2020x740x2300	3-20	

Sinks, Neutral Furnishing

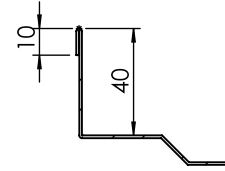
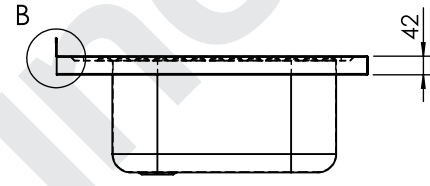
 Bilgeinox

TABLALI EVİYE DETAYLARI (THE DETAILS OF SINK TOPS)

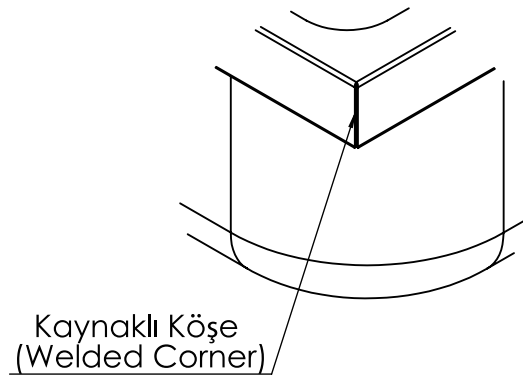
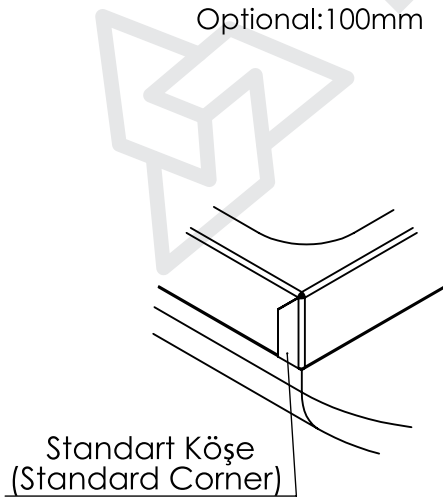


Standart Sırt:60mm
(Standard Back Splash:60mm)

Optional:100mm



Ezmeli sırt
(Back Splash with Flattening)



Vegetable Washing Units – Pot&Pan Washing Units Sebze Yıkama – Kazan Yıkama Uniteleri

AISI 304 Stainless Steel / Paslanmaz Çelik AISI 304



Code Kod	Description Açıklama	Ext. Dim. (mm.) Dış Ölçü (mm.)	Box Dim. (mm.) Koli Ölçü (mm.)	Palette Dim. Palet Ölçüsü	Box Unit Kutu Adedi	U.Price € B.Fiyat €
6000557	Sebze Yıkama / Veg.Wash. 51x96x30	1200x700	1220x770x420	-	1	
6000302	Sebze Yıkama / Veg.Wash. 51x128x30	1400x700	1420x770x420	-	1	
6000364	Sebze Yıkama / Veg.Wash. 51x160x32	1800x700	1820x770x520	-	1	
6002190	Tek Eyye / Single Sink (50x70x40)	1200x700	1220x770x520	-	1	
6002514	Tek Eyye / Single Sink (50x70x40)	1200x700	1220x770x420	-	1	
6002515	Tek Eyye / Single Sink (50x70x40)	1200x700	1220x770x420	-	1	
6002348	Tek Eyye / Single Sink (50x70x40)	1600x700	1620x770x520	-	1	
6001537	Tek Eyye / Single Sink (50x70x40)	1600x700	1620x770x520	-	1	
6001477	Tek Eyye / Single Sink (50x70x40)	1600x700	1620x770x520	-	1	
6002350	Çift Eyye / Double Sink (50x70x40)	1600x700	1620x770x520	-	1	
6001975	Çift Eyye / Double Sink (50x70x40)	1900x700	1920x770x520	-	1	
6000276	Tek Eyye / Single Sink 51x96x38	1200x700	1220x770x420	-	1	
6000278	Tek Eyye / Single Sink 51x96x38	1600x700	1620x770x420	-	1	
6000279	Tek Eyye / Single Sink 51x96x38	1600x700	1620x770x520	-	1	

Sinks, Neutral Furnishing

Dishwasher Inlet Tables / *BYM Giriş Tezgahı*

AISI 304 Stainless Steel / *Paslanmaz Çelik AISI 304*

Dishwasher Inlet Tables with 400x500x250 Single&Double Sink Units

Tek ve Çift Eviyeli Bulaşıkxhane Giriş Tezgahları 400x500x250

R.H. : Right - Handed, L.H. : Left - Handed / *R.H. : Sağ, L.H. : Sol*



Code <i>Kod</i>	Description <i>Açıklama</i>	Ext. Dim. (mm.) <i>Dış Ölçü (mm.)</i>	Box Dim. (mm.) <i>Koli Ölçü (mm.)</i>	Palette Dim. <i>Palet Ölçüsü</i>	Box Unit <i>Kutu Adedi</i>	U.Price € <i>B.Fiyat €</i>
6002274	R.H. Inlet Table with Single Sink	1000x750	1220x770x420	-	1	
6002116	L.H. Inlet Table with Single Sink	1000x750	1220x770x420	-	1	
6002411	R.H. Inlet Table with Single Sink	1200x750	1220x770x420	-	1	
6002119	L.H. Inlet Table with Single Sink	1200x750	1220x770x420	-	1	
6002112	R.H. Inlet Table with Single Sink	1400x750	1420x770x420	-	1	
6002120	L.H. Inlet Table with Single Sink	1400x750	1420x770x420	-	1	
6002115	R.H. Inlet Table with Single Sink	1600x750	1620x770x420	-	1	
6002123	L.H. Inlet Table with Single Sink	1600x750	1620x770x420	-	1	
6002128	R.H. Inlet Table with Double Sink	1400x750	1420x770x420	-	1	
6002082	L.H. Inlet Table with Double Sink	1400x750	1420x770x420	-	1	
6002130	R.H. Inlet Table with Double Sink	1600x750	1620x770x420	-	1	
6002266	L.H. Inlet Table with Double Sink	1600x750	1620x770x420	-	1	
6006507	R.H. Inlet Table with Double Sink	1800x750	1820x770x420	-	1	
6002085	L.H. Inlet Table with Double Sink	1800x750	1820x770x420	-	1	
6002091	R.H. Inlet Table with Double Sink	1900x750	1920x770x420	-	1	
6002267	L.H. Inlet Table with Double Sink	1900x750	1920x770x420	-	1	

Dishwasher Outlet Tables / BYM Çıkış Tezgahı

AISI 304 Stainless Steel / Paslanmaz Çelik AISI 304

Dishwasher Outlet Tables with 400x500x250 Single&Double Sink Units

Tek ve Çift Eviyeli Bulaşıkhaneye Çıkış Tezgahları 400x500x250

R.H. : Right - Handed, L.H. : Left - Handed / R.H. : Sağ, L.H. : Sol



Code Kod	Description Açıklama	Ext. Dim. (mm.) Dış Ölçü (mm.)	Box Dim. (mm.) Koli Ölçü (mm.)	Palette Dim. Palet Ölçüsü	Box Unit Kutu Adedi	U.Price € B.Fiyat €
6005236	R.H. Outlet Table	800x750	-	-	-	-
6005241	R.H. Outlet Table	1000x750	-	-	-	-
6005245	R.H. Outlet Table	1200x750	-	-	-	-
6005249	R.H. Outlet Table	1400x750	-	-	-	-
6005253	R.H. Outlet Table	1600x750	-	-	-	-
6005258	L.H. Outlet Table	800x750	-	-	-	-
6005259	L.H. Outlet Table	1000x750	-	-	-	-
6005268	L.H. Outlet Table	1200x750	-	-	-	-
6005260	L.H. Outlet Table	1400x750	-	-	-	-
6005261	L.H. Outlet Table	1600x750	-	-	-	-

Sinks, Neutral Furnishing

Demountable Dishwasher Inlet Tables *Demonte BYM Giriş Tezgahı*



Code <i>Kod</i>	Description <i>Açıklama</i>	Ext. Dim. (mm.) <i>Dış Ölçü (mm.)</i>	Box Dim. (mm.) <i>Koli Ölçü (mm.)</i>	Palette Dim. <i>Palet Ölçüsü</i>	Box Unit <i>Kutu Adedi</i>	U.Price € <i>B.Fiyat €</i>
6006680	R.H. Inlet Table with Single Sink	1000x750x850	1220x770x420	-	1	
6006566	L.H. Inlet Table with Single Sink	1000x750x850	1220x770x420	-	1	
6006681	R.H. Inlet Table with Single Sink	1200x750x850	1220x770x420	-	1	
6006568	L.H. Inlet Table with Single Sink	1200x750x850	1220x770x420	-	1	
6006808	R.H. Inlet Table with Single Sink	1400x750x850	1420x770x420	-	1	
6006809	L.H. Inlet Table with Single Sink	1400x750x850	1420x770x420	-	1	
6006810	R.H. Inlet Table with Double Sink	1600x750x850	1620x770x420	-	1	
6006811	L.H. Inlet Table with Double Sink	1600x750x850	1620x770x420	-	1	

Demountable Dishwasher Outlet Tables

Demonte BYM Çıkış Tezgahı



Code Kod	Description Açıklama	Ext. Dim. (mm.) Dış Ölçü (mm.)	Box Dim. (mm.) Koli Ölçü (mm.)	Palette Dim. Palet Ölçüsü	Box Unit Kutu Adedi	U.Price € B.Fiyat €
6006682	R.H. Outlet Table	800x750x850	-	-	-	-
6006683	L.H. Outlet Table	800x750x850	-	-	-	-
6006565	R.H. Outlet Table	1000x750x850	-	-	-	-
6006807	L.H. Outlet Table	1000x750x850	-	-	-	-

Sinks, Neutral Furnishing

Demountable Worktables - with Single Sink, 600&700 Demonte Çalışma Tezgahları - Tek Eviye, Seri 600-700



Code Kod	Description Açıklama	Ext. Dim. (mm.) Dış Ölçü (mm.)	Box Dim. (mm.) Koli Ölçü (mm.)	Palette Dim. Palet Ölçüsü	Box Unit Kutu Adedi	U.Price € B.Fiyat €
6000025	Sağ Eviye / Right Sink(40x50x25)	1000x600x850	1050x600x400	-	1	
6000026	Sol Eviye / Left Sink(40x50x25)	1000x600x850	1050x600x400	-	1	
6006367	Sağ Eviye / Right Sink(40x50x25)	1200x600x850	1250x600x400	-	1	
6000010	Sol Eviye / Left Sink(40x50x25)	1200x600x850	1250x600x400	-	1	
6000080	Sağ Eviye / Right Sink(40x50x25)	1400x600x850	1450x600x400	-	1	
6000018	Sol Eviye / Left Sink(40x50x25)	1400x600x850	1450x600x400	-	1	
6005833	Sağ Eviye / Right Sink(40x50x25)	1600x600x850	1650x600x400	-	1	
6005834	Sol Eviye / Left Sink(40x50x25)	1600x600x850	1650x600x400	-	1	
6000009	Tek Eviye / Single Sink(40x50x25)	600x600x850	600x600x400	-	1	
6006381	Tek Eviye / Single Sink(40x50x25)	700x600x850	700x600x400	-	1	
6006368	Sağ Eviye / Right Sink(50x50x30)	1000x700x850	1050x700x400	-	1	
6006369	Sol Eviye / Left Sink(50x50x30)	1000x700x850	1050x700x400	-	1	
6000037	Sağ Eviye / Right Sink(50x50x30)	1200x700x850	1250x700x400	-	1	
6000036	Sol Eviye / Left Sink(50x50x30)	1200x700x850	1250x700x400	-	1	
6000024	Sağ Eviye / Right Sink(50x50x30)	1400x700x850	1450x700x400	-	1	
6000023	Sol Eviye / Left Sink(50x50x30)	1400x700x850	1450x700x400	-	1	
6006370	Sağ Eviye / Right Sink(50x50x30)	1600x700x850	1650x700x400	-	1	
6000038	Sol Eviye / Left Sink(50x50x30)	1600x700x850	1650x700x400	-	1	
6006371	Tek Eviye / Single Sink(40x50x25)	600x700x850	600x700x400	-	1	
6000011	Tek Eviye / Single Sink(50x50x30)	700x700x850	700x700x400	-	1	

Demountable Worktables, With Bottom Shelf - with Single Sink, 600&700
Demonte Çalışma Tezgahları, Alt Raflı - Tek Eviye, Seri 600-700



Code Kod	Description Açıklama	Ext. Dim. (mm.) Dış Ölçü (mm.)	Box Dim. (mm.) Koli Ölçü (mm.)	Palette Dim. Palet Ölçüsü	Box Unit Kutu Adedi	U.Price € B.Fiyat €
6006706	Sağ Eviye / Right Sink(40x50x25)	1000x600x850	1050x600x400	-	1	
6006722	Sol Eviye / Left Sink(40x50x25)	1000x600x850	1050x600x400	-	1	
6006707	Sağ Eviye / Right Sink(40x50x25)	1200x600x850	1250x600x400	-	1	
6006723	Sol Eviye / Left Sink(40x50x25)	1200x600x850	1250x600x400	-	1	
6006708	Sağ Eviye / Right Sink(40x50x25)	1400x600x850	1450x600x400	-	1	
6006724	Sol Eviye / Left Sink(40x50x25)	1400x600x850	1450x600x400	-	1	
6006709	Sağ Eviye / Right Sink(40x50x25)	1600x600x850	1650x600x400	-	1	
6006725	Sol Eviye / Left Sink(40x50x25)	1600x600x850	1650x600x400	-	1	
6006730	Tek Eviye / Single Sink(40x50x25)	600x600x850	600x600x400	-	1	
6006732	Tek Eviye / Single Sink(40x50x25)	700x600x850	700x600x400	-	1	
6006710	Sağ Eviye / Right Sink(50x50x30)	1000x700x850	1050x700x400	-	1	
6006726	Sol Eviye / Left Sink(50x50x30)	1000x700x850	1050x700x400	-	1	
6006711	Sağ Eviye / Right Sink(50x50x30)	1200x700x850	1250x700x400	-	1	
6006727	Sol Eviye / Left Sink(50x50x30)	1200x700x850	1250x700x400	-	1	
6006712	Sağ Eviye / Right Sink(50x50x30)	1400x700x850	1450x700x400	-	1	
6006728	Sol Eviye / Left Sink(50x50x30)	1400x700x850	1450x700x400	-	1	
6006713	Sağ Eviye / Right Sink(50x50x30)	1600x700x850	1650x700x400	-	1	
6006729	Sol Eviye / Left Sink(50x50x30)	1600x700x850	1650x700x400	-	1	
6006731	Tek Eviye / Single Sink(40x50x25)	600x700x850	600x700x400	-	1	
6006733	Tek Eviye / Single Sink(50x50x30)	700x700x850	700x700x400	-	1	

Sinks, Neutral Furnishing

Demountable Worktables, 304 - with Single Sink, 600&700 Demonte Çalışma Tezgahları, 304 - Tek Eviye, Seri 600-700



Code Kod	Description Açıklama	Ext. Dim. (mm.) Dış Ölçü (mm.)	Box Dim. (mm.) Koli Ölçü (mm.)	Palette Dim. Palet Ölçüsü	Box Unit Kutu Adedi	U.Price € B.Fiyat €
6006706	Sağ Eviye / Right Sink(40x50x25)	1000x600x850	1050x600x400	-	1	
6006722	Sol Eviye / Left Sink(40x50x25)	1000x600x850	1050x600x400	-	1	
6006707	Sağ Eviye / Right Sink(40x50x25)	1200x600x850	1250x600x400	-	1	
6006723	Sol Eviye / Left Sink(40x50x25)	1200x600x850	1250x600x400	-	1	
6006708	Sağ Eviye / Right Sink(40x50x25)	1400x600x850	1450x600x400	-	1	
6006724	Sol Eviye / Left Sink(40x50x25)	1400x600x850	1450x600x400	-	1	
6006709	Sağ Eviye / Right Sink(40x50x25)	1600x600x850	1650x600x400	-	1	
6006725	Sol Eviye / Left Sink(40x50x25)	1600x600x850	1650x600x400	-	1	
6006730	Tek Eviye / Single Sink(40x50x25)	600x600x850	600x600x400	-	1	
6006732	Tek Eviye / Single Sink(40x50x25)	700x600x850	700x600x400	-	1	
6006710	Sağ Eviye / Right Sink(50x50x30)	1000x700x850	1050x700x400	-	1	
6006726	Sol Eviye / Left Sink(50x50x30)	1000x700x850	1050x700x400	-	1	
6006711	Sağ Eviye / Right Sink(50x50x30)	1200x700x850	1250x700x400	-	1	
6006727	Sol Eviye / Left Sink(50x50x30)	1200x700x850	1250x700x400	-	1	
6006712	Sağ Eviye / Right Sink(50x50x30)	1400x700x850	1450x700x400	-	1	
6006728	Sol Eviye / Left Sink(50x50x30)	1400x700x850	1450x700x400	-	1	
6006713	Sağ Eviye / Right Sink(50x50x30)	1600x700x850	1650x700x400	-	1	
6006729	Sol Eviye / Left Sink(50x50x30)	1600x700x850	1650x700x400	-	1	
6006731	Tek Eviye / Single Sink(40x50x25)	600x700x850	600x700x400	-	1	
6006733	Tek Eviye / Single Sink(50x50x30)	700x700x850	700x700x400	-	1	

Demountable Worktables, 304, With Bottom Shelf - with Single Sink, 600&700
Demonte Çalışma Tezgahları, 304, Alt Raflı - Tek Eviye, Seri 600-700



Code Kod	Description Açıklama	Ext. Dim. (mm.) Dış Ölçü (mm.)	Box Dim. (mm.) Koli Ölçü (mm.)	Palette Dim. Palet Ölçüsü	Box Unit Kutu Adedi	U.Price € B.Fiyat €
6006706	Sağ Eviye / Right Sink(40x50x25)	1000x600x850	1050x600x400	-	1	
6006722	Sol Eviye / Left Sink(40x50x25)	1000x600x850	1050x600x400	-	1	
6006707	Sağ Eviye / Right Sink(40x50x25)	1200x600x850	1250x600x400	-	1	
6006723	Sol Eviye / Left Sink(40x50x25)	1200x600x850	1250x600x400	-	1	
6006708	Sağ Eviye / Right Sink(40x50x25)	1400x600x850	1450x600x400	-	1	
6006724	Sol Eviye / Left Sink(40x50x25)	1400x600x850	1450x600x400	-	1	
6006709	Sağ Eviye / Right Sink(40x50x25)	1600x600x850	1650x600x400	-	1	
6006725	Sol Eviye / Left Sink(40x50x25)	1600x600x850	1650x600x400	-	1	
6006730	Tek Eviye / Single Sink(40x50x25)	600x600x850	600x600x400	-	1	
6006732	Tek Eviye / Single Sink(40x50x25)	700x600x850	700x600x400	-	1	
6006710	Sağ Eviye / Right Sink(50x50x30)	1000x700x850	1050x700x400	-	1	
6006726	Sol Eviye / Left Sink(50x50x30)	1000x700x850	1050x700x400	-	1	
6006711	Sağ Eviye / Right Sink(50x50x30)	1200x700x850	1250x700x400	-	1	
6006727	Sol Eviye / Left Sink(50x50x30)	1200x700x850	1250x700x400	-	1	
6006712	Sağ Eviye / Right Sink(50x50x30)	1400x700x850	1450x700x400	-	1	
6006728	Sol Eviye / Left Sink(50x50x30)	1400x700x850	1450x700x400	-	1	
6006713	Sağ Eviye / Right Sink(50x50x30)	1600x700x850	1650x700x400	-	1	
6006729	Sol Eviye / Left Sink(50x50x30)	1600x700x850	1650x700x400	-	1	
6006731	Tek Eviye / Single Sink(40x50x25)	600x700x850	600x700x400	-	1	
6006733	Tek Eviye / Single Sink(50x50x30)	700x700x850	700x700x400	-	1	

Sinks, Neutral Furnishing

Demountable Worktables, with Double Sink, 600/700 Demonte Çalışma Tezgahları - Çift Eviye, Seri 600-700



Code Kod	Description Açıklama	Ext. Dim. (mm.) Dış Ölçü (mm.)	Box Dim. (mm.) Koli Ölçü (mm.)	Palette Dim. Palet Ölçüsü	Box Unit Kutu Adedi	U.Price € B.Fiyat €
6000020	Sağ Eviye / Right Sink(40x50x25)	1400x600x850	1450x600x400	-	1	
6000013	Sol Eviye / Left Sink(40x50x25)	1400x600x850	1450x600x400	-	1	
6006372	Sağ Eviye / Right Sink(40x50x25)	1600x600x850	1650x600x400	-	1	
6000019	Sol Eviye / Left Sink(40x50x25)	1600x600x850	1650x600x400	-	1	
6006374	Sağ Eviye / Right Sink(40x50x25)	1800x600x850	1850x600x400	-	1	
6006373	Sol Eviye / Left Sink(40x50x25)	1800x600x850	1850x600x400	-	1	
6006376	Sağ Eviye / Right Sink(40x50x25)	2000x600x850	2050x600x400	-	1	
6006375	Sol Eviye / Left Sink(40x50x25)	2000x600x850	2050x600x400	-	1	
6006379	Sağ Eviye / Right Sink(40x50x25)	1400x700x850	1450x700x400	-	1	
6000014	Sol Eviye / Left Sink(40x50x25)	1400x700x850	1450x700x400	-	1	
6006377	Sağ Eviye / Right Sink(50x50x30)	1600x700x850	1650x700x400	-	1	
6006378	Sol Eviye / Left Sink(50x50x30)	1600x700x850	1650x700x400	-	1	
6000097	Sağ Eviye / Right Sink(50x50x30)	1800x700x850	1850x700x400	-	1	
6000041	Sol Eviye / Left Sink(50x50x30)	1800x700x850	1850x700x400	-	1	
6000042	Sağ Eviye / Right Sink(50x50x30)	2000x700x850	2050x700x400	-	1	
6006380	Sol Eviye / Left Sink(50x50x30)	2000x700x850	2050x700x400	-	1	

Demountable Worktables, With Bottom Shelf - with Double Sink, 600&700
Demonte Çalışma Tezgahları, Alt Raflı - Çift Eviye, Seri 600-700



Code Kod	Description Açıklama	Ext. Dim. (mm.) Dış Ölçü (mm.)	Box Dim. (mm.) Koli Ölçü (mm.)	Palette Dim. Palet Ölçüsü	Box Unit Kutu Adedi	U.Price € B.Fiyat €
6006698	Sağ Eviye / Right Sink(40x50x25)	1400x600x850	1450x600x400	-	1	
6006714	Sol Eviye / Left Sink(40x50x25)	1400x600x850	1450x600x400	-	1	
6006700	Sağ Eviye / Right Sink(40x50x25)	1600x600x850	1650x600x400	-	1	
6006716	Sol Eviye / Left Sink(40x50x25)	1600x600x850	1650x600x400	-	1	
6006701	Sağ Eviye / Right Sink(40x50x25)	1800x600x850	1850x600x400	-	1	
6006717	Sol Eviye / Left Sink(40x50x25)	1800x600x850	1850x600x400	-	1	
6006702	Sağ Eviye / Right Sink(40x50x25)	2000x600x850	2050x600x400	-	1	
6006718	Sol Eviye / Left Sink(40x50x25)	2000x600x850	2050x600x400	-	1	
6006699	Sağ Eviye / Right Sink(40x50x25)	1400x700x850	1450x700x400	-	1	
6006715	Sol Eviye / Left Sink(40x50x25)	1400x700x850	1450x700x400	-	1	
6006705	Sağ Eviye / Right Sink(50x50x30)	1600x700x850	1650x700x400	-	1	
6006720	Sol Eviye / Left Sink(50x50x30)	1600x700x850	1650x700x400	-	1	
6006703	Sağ Eviye / Right Sink(50x50x30)	1800x700x850	1850x700x400	-	1	
6006721	Sol Eviye / Left Sink(50x50x30)	1800x700x850	1850x700x400	-	1	
6006704	Sağ Eviye / Right Sink(50x50x30)	2000x700x850	2050x700x400	-	1	
6006719	Sol Eviye / Left Sink(50x50x30)	2000x700x850	2050x700x400	-	1	

Sinks, Neutral Furnishing

Demountable Worktables, 304 - with Double Sink, 600&700 Demonte Çalışma Tezgahları, 304 - Çift Eviye, Seri 600-700



Code Kod	Description Açıklama	Ext. Dim. (mm.) Dış Ölçü (mm.)	Box Dim. (mm.) Koli Ölçü (mm.)	Palette Dim. Palet Ölçüsü	Box Unit Kutu Adedi	U.Price € B.Fiyat €
6006698	Sağ Eviye / Right Sink(40x50x25)	1400x600x850	1450x600x400	-	1	
6006714	Sol Eviye / Left Sink(40x50x25)	1400x600x850	1450x600x400	-	1	
6006700	Sağ Eviye / Right Sink(40x50x25)	1600x600x850	1650x600x400	-	1	
6006716	Sol Eviye / Left Sink(40x50x25)	1600x600x850	1650x600x400	-	1	
6006701	Sağ Eviye / Right Sink(40x50x25)	1800x600x850	1850x600x400	-	1	
6006717	Sol Eviye / Left Sink(40x50x25)	1800x600x850	1850x600x400	-	1	
6006702	Sağ Eviye / Right Sink(40x50x25)	2000x600x850	2050x600x400	-	1	
6006718	Sol Eviye / Left Sink(40x50x25)	2000x600x850	2050x600x400	-	1	
6006699	Sağ Eviye / Right Sink(40x50x25)	1400x700x850	1450x700x400	-	1	
6006715	Sol Eviye / Left Sink(40x50x25)	1400x700x850	1450x700x400	-	1	
6006705	Sağ Eviye / Right Sink(50x50x30)	1600x700x850	1650x700x400	-	1	
6006720	Sol Eviye / Left Sink(50x50x30)	1600x700x850	1650x700x400	-	1	
6006703	Sağ Eviye / Right Sink(50x50x30)	1800x700x850	1850x700x400	-	1	
6006721	Sol Eviye / Left Sink(50x50x30)	1800x700x850	1850x700x400	-	1	
6006704	Sağ Eviye / Right Sink(50x50x30)	2000x700x850	2050x700x400	-	1	
6006719	Sol Eviye / Left Sink(50x50x30)	2000x700x850	2050x700x400	-	1	

Demountable Worktables, 304, With Bottom Shelf - with Double Sink, 600&700
Demonte Çalışma Tezgahları, 304, Alt Raflı - Çift Eviye, Seri 600-700



Code Kod	Description Açıklama	Ext. Dim. (mm.) Dış Ölçü (mm.)	Box Dim. (mm.) Koli Ölçü (mm.)	Palette Dim. Palet Ölçüsü	Box Unit Kutu Adedi	U.Price € B.Fiyat €
6006698	Sağ Eviye / Right Sink(40x50x25)	1400x600x850	1450x600x400	-	1	
6006714	Sol Eviye / Left Sink(40x50x25)	1400x600x850	1450x600x400	-	1	
6006700	Sağ Eviye / Right Sink(40x50x25)	1600x600x850	1650x600x400	-	1	
6006716	Sol Eviye / Left Sink(40x50x25)	1600x600x850	1650x600x400	-	1	
6006701	Sağ Eviye / Right Sink(40x50x25)	1800x600x850	1850x600x400	-	1	
6006717	Sol Eviye / Left Sink(40x50x25)	1800x600x850	1850x600x400	-	1	
6006702	Sağ Eviye / Right Sink(40x50x25)	2000x600x850	2050x600x400	-	1	
6006718	Sol Eviye / Left Sink(40x50x25)	2000x600x850	2050x600x400	-	1	
6006699	Sağ Eviye / Right Sink(40x50x25)	1400x700x850	1450x700x400	-	1	
6006715	Sol Eviye / Left Sink(40x50x25)	1400x700x850	1450x700x400	-	1	
6006705	Sağ Eviye / Right Sink(50x50x30)	1600x700x850	1650x700x400	-	1	
6006720	Sol Eviye / Left Sink(50x50x30)	1600x700x850	1650x700x400	-	1	
6006703	Sağ Eviye / Right Sink(50x50x30)	1800x700x850	1850x700x400	-	1	
6006721	Sol Eviye / Left Sink(50x50x30)	1800x700x850	1850x700x400	-	1	
6006704	Sağ Eviye / Right Sink(50x50x30)	2000x700x850	2050x700x400	-	1	
6006719	Sol Eviye / Left Sink(50x50x30)	2000x700x850	2050x700x400	-	1	

Sinks, Neutral Furnishing

Demountable Worktables with Triple Sink Demonte Çalışma Tezgahları / Üçlü Eviye



Code Kod	Description Açıklama	Ext. Dim. (mm.) Dış Ölçü (mm.)	Box Dim. (mm.) Koli Ölçü (mm.)	Palette Dim. Palet Ölçüsü	Box Unit Kutu Adedi	U.Price € B.Fiyat €
6006382	Without Bot.Shelf(40x50x25)	1800x600x850	1850x760x400	-	1	
6006383	Without Bot.Shelf(50x50x30)	1800x700x850	1850x760x400	-	1	
6006384	Without Bot.Shelf(50x50x30)	2000x700x850	2050x760x400	-	1	
6006385	With Bot.Shelf(40x50x25)	1800x600x850	1850x760x400	-	1	
6006386	With Bot.Shelf(50x50x30)	1800x700x850	1850x760x400	-	1	
6006387	With Bot.Shelf(50x50x30)	2000x700x850	2050x760x400	-	1	
6006956	Without Bot.Shelf(40x50x25), 304	1800x600x850	1850x760x400	-	1	
6006957	Without Bot.Shelf(50x50x30), 304	1800x700x850	1850x760x400	-	1	
6006958	Without Bot.Shelf(50x50x30), 304	2000x700x850	2050x760x400	-	1	
6006959	With Bot.Shelf(40x50x25), 304	1800x600x850	1850x760x400	-	1	
6006960	With Bot.Shelf(50x50x30), 304	1800x700x850	1850x760x400	-	1	
6006961	With Bot.Shelf(50x50x30), 304	2000x700x850	2050x760x400	-	1	



Demountable Worktables with Sink - Vegetable Washing Unit Eviyeli Demonte Çalışma Tezgahları - Sebze Yıkama

Code Kod	Description Açıklama	Ext. Dim. (mm.) Dış Ölçü (mm.)	Box Dim. (mm.) Koli Ölçü (mm.)	Palette Dim. Palet Ölçüsü	Box Unit Kutu Adedi	U.Price € B.Fiyat €
6006427	Veg.Wash Unit(51x96x30)	1200x700x850	1250x700x400	-	1	
6006428	Veg.Wash Unit(51x128x30)	1400x700x850	1450x700x400	-	1	
6006697	Veg.Wash Unit(51x96x30) with Bottom Shelf	1200x700x850	1250x700x400	-	1	
6006696	Veg.Wash Unit(51x128x30) with Bottom Shelf	1400x700x850	1450x700x400	-	1	
6006962	Veg.Wash Unit(51x96x30), 304	1200x700x850	1250x700x400	-	1	
6006963	Veg.Wash Unit(51x128x30), 304	1400x700x850	1450x700x400	-	1	
6006964	Veg.Wash Unit(51x96x30) with Bottom Shelf, 304	1200x700x850	1250x700x400	-	1	
6006965	Veg.Wash Unit(51x128x30) with Bottom Shelf, 304	1400x700x850	1450x700x400	-	1	

Demountable Worktables - Serie 600&700

Demonte Çalışma Tezgahları / 600-700 Seri



Code Kod	Description Açıklama	Ext. Dim. (mm.) Dış Ölçü (mm.)	Box Dim. (mm.) Koli Ölçü (mm.)	Palette Dim. Palet Ölçüsü	Box Unit Kutu Adedi	U.Price € B.Fiyat €
6004064	600 Seri / SERIE 600	800x600x850	850x760x230	-	1	
6006388	600 Seri / SERIE 600	1000x600x850	1050x760x230	-	1	
6004057	600 Seri / SERIE 600	1200x600x850	1250x760x230	-	1	
6006389	600 Seri / SERIE 600	1400x600x850	1450x760x230	-	1	
6004065	600 Seri / SERIE 600	1600x600x850	1650x760x230	-	1	
6006390	600 Seri / SERIE 600	1800x600x850	1850x760x230	-	1	
6006391	600 Seri / SERIE 600	2000x600x850	2050x760x230	-	1	
6006392	600 Seri / SERIE 600	2200x600x850	2250x750x230	-	1	
6006393	600 Seri / SERIE 600	2400x600x850	2450x750x230	-	1	
6004071	700 Seri / SERIE 700	800x700x850	850x760x230	-	1	
6004060	700 Seri / SERIE 700	1000x700x850	1050x760x230	-	1	
6004049	700 Seri / SERIE 700	1200x700x850	1250x760x230	-	1	
6004050	700 Seri / SERIE 700	1400x700x850	1450x760x230	-	1	
6004051	700 Seri / SERIE 700	1600x700x850	1650x760x230	-	1	
6004052	700 Seri / SERIE 700	1800x700x850	1850x760x230	-	1	
6004061	700 Seri / SERIE 700	2000x700x850	2050x760x230	-	1	
6006394	700 Seri / SERIE 700	2200x700x850	2250x750x230	-	1	
6006395	700 Seri / SERIE 700	2400x700x850	2450x750x230	-	1	

Corner Tables / Köşe Tezgahları

6006396	600 Seri / SERIE 600	600x600x850	850x760x230	-	1	
6006397	600 Seri / SERIE 600	600x600x850	850x760x230	-	1	
6006398	700 Seri / SERIE 700	800x700x850	850x760x230	-	1	
6006399	700 Seri / SERIE 700	800x700x850	850x760x230	-	1	

Sinks, Neutral Furnishing

Demountable Worktables, 304 - Serie 600&700 Demonte Çalışma Tezgahları, 304 - 600&700 Seri



Code Kod	Description Açıklama	Ext. Dim. (mm.) Dış Ölçü (mm.)	Box Dim. (mm.) Koli Ölçü (mm.)	Palette Dim. Palet Ölçüsü	Box Unit Kutu Adedi	U.Price € B.Fiyat €
6004064	600 Seri / SERIE 600	800x600x850	850x760x230	-	1	
6006388	600 Seri / SERIE 600	1000x600x850	1050x760x230	-	1	
6004057	600 Seri / SERIE 600	1200x600x850	1250x760x230	-	1	
6006389	600 Seri / SERIE 600	1400x600x850	1450x760x230	-	1	
6004065	600 Seri / SERIE 600	1600x600x850	1650x760x230	-	1	
6006390	600 Seri / SERIE 600	1800x600x850	1850x760x230	-	1	
6006391	600 Seri / SERIE 600	2000x600x850	2050x760x230	-	1	
6006392	600 Seri / SERIE 600	2200x600x850	2250x750x230	-	1	
6006393	600 Seri / SERIE 600	2400x600x850	2450x750x230	-	1	
6004071	700 Seri / SERIE 700	800x700x850	850x760x230	-	1	
6004060	700 Seri / SERIE 700	1000x700x850	1050x760x230	-	1	
6004049	700 Seri / SERIE 700	1200x700x850	1250x760x230	-	1	
6004050	700 Seri / SERIE 700	1400x700x850	1450x760x230	-	1	
6004051	700 Seri / SERIE 700	1600x700x850	1650x760x230	-	1	
6004052	700 Seri / SERIE 700	1800x700x850	1850x760x230	-	1	
6004061	700 Seri / SERIE 700	2000x700x850	2050x760x230	-	1	
6006394	700 Seri / SERIE 700	2200x700x850	2250x750x230	-	1	
6006395	700 Seri / SERIE 700	2400x700x850	2450x750x230	-	1	

Corner Tables / Köşe Tezgahları

6006396	600 Seri / SERIE 600	600x600x850	850x760x230	-	1	
6006397	600 Seri / SERIE 600	600x600x850	850x760x230	-	1	
6006398	700 Seri / SERIE 700	800x700x850	850x760x230	-	1	
6006399	700 Seri / SERIE 700	800x700x850	850x760x230	-	1	

Demountable Worktables with Bottom Shelf - Serie 600&700

Demonte Çalışma Tezgahları, Alt Raflı - 600&700 Seri



Code Kod	Description Açıklama	Ext. Dim. (mm.) Dış Ölçü (mm.)	Box Dim. (mm.) Koli Ölçü (mm.)	Palette Dim. Palet Ölçüsü	Box Unit Kutu Adedi	U.Price € B.Fiyat €
6004063	600 Seri / SERIE 600	800x600x850	850x760x230	-	1	
6006400	600 Seri / SERIE 600	1000x600x850	1050x760x230	-	1	
6004053	600 Seri / SERIE 600	1200x600x850	1250x760x230	-	1	
6006401	600 Seri / SERIE 600	1400x600x850	1450x760x230	-	1	
6004054	600 Seri / SERIE 600	1600x600x850	1650x760x230	-	1	
6004055	600 Seri / SERIE 600	1800x600x850	1850x760x230	-	1	
6006402	600 Seri / SERIE 600	2000x600x850	2050x760x230	-	1	
6006403	600 Seri / SERIE 600	2200x600x850	2250x750x230	-	1	
6006404	600 Seri / SERIE 600	2400x600x850	2450x750x230	-	1	
6004029	700 Seri / SERIE 700	800x700x850	850x760x230	-	1	
6004016	700 Seri / SERIE 700	1000x700x850	1050x760x230	-	1	
6004017	700 Seri / SERIE 700	1200x700x850	1250x760x230	-	1	
6004018	700 Seri / SERIE 700	1400x700x850	1450x760x230	-	1	
6004056	700 Seri / SERIE 700	1600x700x850	1650x760x230	-	1	
6004062	700 Seri / SERIE 700	1800x700x850	1850x760x230	-	1	
6004015	700 Seri / SERIE 700	2000x700x850	2050x760x230	-	1	
6006405	700 Seri / SERIE 700	2200x700x850	2250x750x230	-	1	
6006406	700 Seri / SERIE 700	2400x700x850	2450x750x230	-	1	

Sinks, Neutral Furnishing

Demountable Worktables with Bottom Shelf, 304 - Serie 600&700 Demonte Çalışma Tezgahları, Alt Raflı, 304 - 600&700 Seri



Code Kod	Description Açıklama	Ext. Dim. (mm.) Dış Ölçü (mm.)	Box Dim. (mm.) Koli Ölçü (mm.)	Palette Dim. Palet Ölçüsü	Box Unit Kutu Adedi	U.Price € B.Fiyat €
6004063	600 Seri / SERIE 600	800x600x850	850x760x230	-	1	
6006400	600 Seri / SERIE 600	1000x600x850	1050x760x230	-	1	
6004053	600 Seri / SERIE 600	1200x600x850	1250x760x230	-	1	
6006401	600 Seri / SERIE 600	1400x600x850	1450x760x230	-	1	
6004054	600 Seri / SERIE 600	1600x600x850	1650x760x230	-	1	
6004055	600 Seri / SERIE 600	1800x600x850	1850x760x230	-	1	
6006402	600 Seri / SERIE 600	2000x600x850	2050x760x230	-	1	
6006403	600 Seri / SERIE 600	2200x600x850	2250x750x230	-	1	
6006404	600 Seri / SERIE 600	2400x600x850	2450x750x230	-	1	
6004029	700 Seri / SERIE 700	800x700x850	850x760x230	-	1	
6004016	700 Seri / SERIE 700	1000x700x850	1050x760x230	-	1	
6004017	700 Seri / SERIE 700	1200x700x850	1250x760x230	-	1	
6004018	700 Seri / SERIE 700	1400x700x850	1450x760x230	-	1	
6004056	700 Seri / SERIE 700	1600x700x850	1650x760x230	-	1	
6004062	700 Seri / SERIE 700	1800x700x850	1850x760x230	-	1	
6004015	700 Seri / SERIE 700	2000x700x850	2050x760x230	-	1	
6006405	700 Seri / SERIE 700	2200x700x850	2250x750x230	-	1	
6006406	700 Seri / SERIE 700	2400x700x850	2450x750x230	-	1	
6006407	600 Seri / SERIE 600	600x600x850	850x760x230	-	1	
6006408	600 Seri / SERIE 600	600x600x850	850x760x230	-	1	
6006409	700 Seri / SERIE 700	800x700x850	850x760x230	-	1	
6006410	700 Seri / SERIE 700	800x700x850	850x760x230	-	1	

Demountable Worktables with Bottom&Intermediate Shelf - Serie 600&700

Demonte Çalışma Tezgahları, Alt ve Orta Raflı - 600&700 Seri



Code Kod	Description Açıklama	Ext. Dim. (mm.) Dış Ölçü (mm.)	Box Dim. (mm.) Koli Ölçü (mm.)	Palette Dim. Palet Ölçüsü	Box Unit Kutu Adedi	U.Price € B.Fiyat €
6006411	600 Seri / SERIE 600	800x600x850	850x760x230	-	1	
6006412	600 Seri / SERIE 600	1000x600x850	1050x760x230	-	1	
6006413	600 Seri / SERIE 600	1200x600x850	1250x760x230	-	1	
6006414	600 Seri / SERIE 600	1400x600x850	1450x760x230	-	1	
6006415	600 Seri / SERIE 600	1600x600x850	1650x760x230	-	1	
6006416	600 Seri / SERIE 600	1800x600x850	1850x760x230	-	1	
6006417	600 Seri / SERIE 600	2000x600x850	2050x760x230	-	1	
6006418	600 Seri / SERIE 600	2200x600x850	2250x750x230	-	1	
6006419	600 Seri / SERIE 600	2400x600x850	2450x750x230	-	1	
6006420	700 Seri / SERIE 700	800x700x850	850x760x230	-	1	
6006421	700 Seri / SERIE 700	1000x700x850	1050x760x230	-	1	
6006422	700 Seri / SERIE 700	1200x700x850	1250x760x230	-	1	
6004070	700 Seri / SERIE 700	1400x700x850	1450x760x230	-	1	
6004072	700 Seri / SERIE 700	1600x700x850	1650x760x230	-	1	
6006423	700 Seri / SERIE 700	1800x700x850	1850x760x230	-	1	
6006424	700 Seri / SERIE 700	2000x700x850	2050x760x230	-	1	
6006425	700 Seri / SERIE 700	2200x700x850	2250x750x230	-	1	
6006426	700 Seri / SERIE 700	2400x700x850	2450x750x230	-	1	

Sinks, Neutral Furnishing

Demountable Worktables with Bottom&Intermediate Shelf, 304 - Serie 600&700
Demonte Çalışma Tezgahları, Alt ve Orta Raflı, 304 - 600&700 Seri



Code Kod	Description Açıklama	Ext. Dim. (mm.) Dış Ölçü (mm.)	Box Dim. (mm.) Koli Ölçü (mm.)	Palette Dim. Palet Ölçüsü	Box Unit Kutu Adedi	U.Price € B.Fiyat €
6006411	600 Seri / SERIE 600	800x600x850	850x760x230	-	1	
6006412	600 Seri / SERIE 600	1000x600x850	1050x760x230	-	1	
6006413	600 Seri / SERIE 600	1200x600x850	1250x760x230	-	1	
6006414	600 Seri / SERIE 600	1400x600x850	1450x760x230	-	1	
6006415	600 Seri / SERIE 600	1600x600x850	1650x760x230	-	1	
6006416	600 Seri / SERIE 600	1800x600x850	1850x760x230	-	1	
6006417	600 Seri / SERIE 600	2000x600x850	2050x760x230	-	1	
6006418	600 Seri / SERIE 600	2200x600x850	2250x750x230	-	1	
6006419	600 Seri / SERIE 600	2400x600x850	2450x750x230	-	1	
6006420	700 Seri / SERIE 700	800x700x850	850x760x230	-	1	
6006421	700 Seri / SERIE 700	1000x700x850	1050x760x230	-	1	
6006422	700 Seri / SERIE 700	1200x700x850	1250x760x230	-	1	
6004070	700 Seri / SERIE 700	1400x700x850	1450x760x230	-	1	
6004072	700 Seri / SERIE 700	1600x700x850	1650x760x230	-	1	
6006423	700 Seri / SERIE 700	1800x700x850	1850x760x230	-	1	
6006424	700 Seri / SERIE 700	2000x700x850	2050x760x230	-	1	
6006425	700 Seri / SERIE 700	2200x700x850	2250x750x230	-	1	
6006426	700 Seri / SERIE 700	2400x700x850	2450x750x230	-	1	

Worktables with Cupboard Dolaplı Çalışma Tezgahı



Code Kod	Description Açıklama	Ext. Dim. (mm.) Dış Ölçü (mm.)	Box Dim. (mm.) Koli Ölçü (mm.)	Palette Dim. Palet Ölçüsü	Box Unit Kutu Adedi	U.Price € B.Fiyat €
7000419	W. Table with CB / Çalışma Tezg.	1200x600x850	1250x760x900	-	1	
7000420	W. Table with CB / Çalışma Tezg.	1400x600x850	1450x760x900	-	1	
7000421	W. Table with CB / Çalışma Tezg.	1600x600x850	1650x760x900	-	1	
7000422	W. Table with CB / Çalışma Tezg.	1800x600x850	1850x760x900	-	1	
7000423	W. Table with CB / Çalışma Tezg.	2000x600x850	5050x760x900	-	1	
7000495	W. Table with CB / Çalışma Tezg.	1200x700x850	1250x760x900	-	1	
7000498	W. Table with CB / Çalışma Tezg.	1400x700x850	1450x760x900	-	1	
7000500	W. Table with CB / Çalışma Tezg.	1600x700x850	1650x760x900	-	1	
7000424	W. Table with CB / Çalışma Tezg.	1800x700x850	1850x760x900	-	1	
7000425	W. Table with CB / Çalışma Tezg.	2000x700x850	5050x760x900	-	1	
7000256	W.T.w.CB Int.Shelf / Ç.Tezg.Ara Raf	1200x600x850	1250x760x900	-	1	
7000258	W.T.w.CB Int.Shelf / Ç.Tezg.Ara Raf	1400x600x850	1450x760x900	-	1	
7000275	W.T.w.CB Int.Shelf / Ç.Tezg.Ara Raf	1600x600x850	1650x760x900	-	1	
7000286	W.T.w.CB Int.Shelf / Ç.Tezg.Ara Raf	1800x600x850	1850x760x900	-	1	
7000426	W.T.w.CB Int.Shelf / Ç.Tezg.Ara Raf	2000x600x850	5050x760x900	-	1	
7000241	W.T.w.CB Int.Shelf / Ç.Tezg.Ara Raf	1200x700x850	1250x760x900	-	1	
7000242	W.T.w.CB Int.Shelf / Ç.Tezg.Ara Raf	1400x700x850	1450x760x900	-	1	
7000245	W.T.w.CB Int.Shelf / Ç.Tezg.Ara Raf	1600x700x850	1650x760x900	-	1	
7000248	W.T.w.CB Int.Shelf / Ç.Tezg.Ara Raf	1800x700x850	1850x760x900	-	1	
7000251	W.T.w.CB Int.Shelf / Ç.Tezg.Ara Raf	2000x700x850	5050x760x900	-	1	

Sinks, Neutral Furnishing

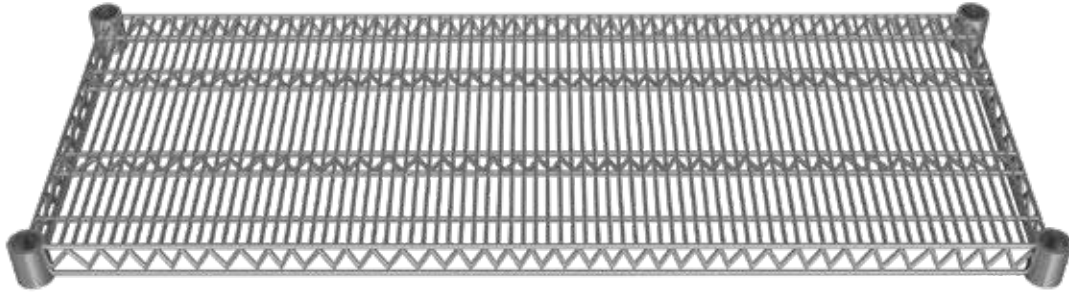
Wall Cupboard with Sliding Door *Duvar Dolabı, Sürgü Kapılı*



Code <i>Kod</i>	Description <i>Açıklama</i>	Ext. Dim. (mm.) <i>Dış Ölçü (mm.)</i>	Box Dim. (mm.) <i>Koli Ölçü (mm.)</i>	Palette Dim. <i>Palet Ölçüsü</i>	Box Unit <i>Kutu Adedi</i>	U.Price € <i>B.Fiyat €</i>
7000446	Wall CB. W. Sld. Door/Dvr.DİbSür.K	1200x300x600	1250x460x650	-	1	
7000448	Wall CB. W. Sld. Door/Dvr.DİbSür.K	1400x300x600	1450x460x650	-	1	
7000451	Wall CB. W. Sld. Door/Dvr.DİbSür.K	1600x300x600	1650x460x650	-	1	
7000453	Wall CB. W. Sld. Door/Dvr.DİbSür.K	1800x300x600	1850x460x650	-	1	
7000465	Wall CB. W. Sld. Door/Dvr.DİbSür.K	2000x300x600	2050x460x650	-	1	
7000457	Wall CB. W. Sld. Door/Dvr.DİbSür.K	1200x400x600	1250x460x650	-	1	
7000449	Wall CB. W. Sld. Door/Dvr.DİbSür.K	1200x400x600	1250x460x650	-	1	
7000452	Wall CB. W. Sld. Door/Dvr.DİbSür.K	1200x400x600	1250x460x650	-	1	
7000454	Wall CB. W. Sld. Door/Dvr.DİbSür.K	1200x400x600	1250x460x650	-	1	
7000455	Wall CB. W. Sld. Door/Dvr.DİbSür.K	1200x400x600	1250x460x650	-	1	

Shelving Units / İstif Rafları

Legs for Shelving Units, 1600&1800mm., with/out Castors
İstif Rafı Ayakları, 1600-1800mm., Tekerlekli - Tekerleksiz



Code Kod	Description Açıklama	Ext. Dim. (mm.) Dış Ölçü (mm.)	Box Dim. (mm.) Koli Ölçü (mm.)	Palette Dim. Palet Ölçüsü	Box Unit Kutu Adedi	U.Price € B.Fiyat €
7002359	LEG.1600, 304	Ø38x1600	1620x190x70	-	4	
7002321	LEG 1800, 304	Ø38x1800	1820x190x70	-	4	
7002309	LEG 1600, 201	Ø38x1600	1620x190x70	-	4	
7002310	LEG 1800, 201	Ø38x1800	1820x190x70	-	4	
7002357	LEG WITH CASTOR 1600, 304	Ø38x1600	1620x190x70	-	4	
7002356	LEG WITH CASTOR 1800, 304	Ø38x1800	1820x190x70	-	4	
7002358	LEG WITH CASTOR 1600, 201	Ø38x1600	1620x190x70	-	4	
7002320	LEG WITH CASTOR 1800, 201	Ø38x1800	1820x190x70	-	4	

Sinks, Neutral Furnishing

Shelves - Wire Shelves / Tel Raflar

Wire Shelf, 304 / Tel Raf, 304

Code Kod	Description Açıklama	Ext. Dim. (mm.) Dış Ölçü (mm.)	Box Dim. (mm.) Koli Ölçü (mm.)	Palette Dim. Palet Ölçüsü	Box Unit Kutu Adedi	U.Price € B.Fiyat €
7002500	Wire Shelf Inox 304	360x760	780x420x170	-	-	
7002610	Wire Shelf Inox 304	360x910	920x420x170	-	-	
7002611	Wire Shelf Inox 304	360x1070	1080x420x170	-	-	
7002612	Wire Shelf Inox 304	360x1220	1230x420x170	-	-	
7002613	Wire Shelf Inox 304	360x1370	1380x420x170	-	-	
7002614	Wire Shelf Inox 304	360x1520	1540x 420x170	-	-	
7002615	Wire Shelf Inox 304	360x1830	1840x420x170	-	-	
7002616	Wire Shelf Inox 304	460x760	780x520x170	-	-	
7002177	Wire Shelf Inox 304	460x910	920x520x170	-	-	
7002171	Wire Shelf Inox 304	460x1070	1080x520x170	-	-	
7002172	Wire Shelf Inox 304	460x1220	1230x520x170	-	-	
7002290	Wire Shelf Inox 304	460x1370	1380x520x170	-	-	
7002173	Wire Shelf Inox 304	460x1520	1540x 520x170	-	-	
7002175	Wire Shelf Inox 304	460x1830	1840x520x170	-	-	
7002618	Wire Shelf Inox 304	530x760	780x590x170	-	-	
7002178	Wire Shelf Inox 304	530x910	920x590x170	-	-	
7002179	Wire Shelf Inox 304	530x1070	1080x590x170	-	-	
7002619	Wire Shelf Inox 304	530x1220	1230x590x170	-	-	
7002180	Wire Shelf Inox 304	530x1370	1380x590x170	-	-	
7002620	Wire Shelf Inox 304	530x1520	1540x 590x170	-	-	
7002621	Wire Shelf Inox 304	530x1830	1840x590x170	-	-	
7002623	Wire Shelf Inox 304	610x760	780x670x170	-	-	
7002624	Wire Shelf Inox 304	610x910	920x670x170	-	-	
7002185	Wire Shelf Inox 304	610x1070	1080x670x170	-	-	
7002186	Wire Shelf Inox 304	610x1220	1230x670x170	-	-	
7002187	Wire Shelf Inox 304	610x1370	1380x670x170	-	-	
7002188	Wire Shelf Inox 304	610x1520	1540x 670x170	-	-	
7002189	Wire Shelf Inox 304	610x1830	1840x670x170	-	-	

Shelves - Wire Shelves / Tel Raflar

Wire Shelf, 201 / Tel Raf, 201

Code Kod	Description Açıklama	Ext. Dim. (mm.) Dış Ölçü (mm.)	Box Dim. (mm.) Koli Ölçü (mm.)	Palette Dim. Palet Ölçüsü	Box Unit Kutu Adedi	U.Price € B.Fiyat €
7002606	Wire Shelf Inox 201	360x760	780x420x170	-	-	-
7002192	Wire Shelf Inox 201	360x910	920x420x170	-	-	-
7002193	Wire Shelf Inox 201	360x1070	1080x420x170	-	-	-
7002194	Wire Shelf Inox 201	360x1220	1230x420x170	-	-	-
7002195	Wire Shelf Inox 201	360x1370	1380x420x170	-	-	-
7002196	Wire Shelf Inox 201	360x1520	1540x 420x170	-	-	-
7002197	Wire Shelf Inox 201	360x1830	1840x420x170	-	-	-
7002607	Wire Shelf Inox 201	460x760	780x520x170	-	-	-
7002208	Wire Shelf Inox 201	460x910	920x520x170	-	-	-
7002203	Wire Shelf Inox 201	460x1070	1080x520x170	-	-	-
7002204	Wire Shelf Inox 201	460x1220	1230x520x170	-	-	-
7002205	Wire Shelf Inox 201	460x1370	1380x520x170	-	-	-
7002206	Wire Shelf Inox 201	460x1520	1540x 520x170	-	-	-
7002207	Wire Shelf Inox 201	460x1830	1840x520x170	-	-	-
7002608	Wire Shelf Inox 201	530x760	780x590x170	-	-	-
7002212	Wire Shelf Inox 201	530x910	920x590x170	-	-	-
7002213	Wire Shelf Inox 201	530x1070	1080x590x170	-	-	-
7002214	Wire Shelf Inox 201	530x1220	1230x590x170	-	-	-
7002215	Wire Shelf Inox 201	530x1370	1380x590x170	-	-	-
7002216	Wire Shelf Inox 201	530x1520	1540x 590x170	-	-	-
7002217	Wire Shelf Inox 201	530x1830	1840x590x170	-	-	-
7002222	Wire Shelf Inox 201	610x760	780x670x170	-	-	-
7002223	Wire Shelf Inox 201	610x910	920x670x170	-	-	-
7002218	Wire Shelf Inox 201	610x1070	1080x670x170	-	-	-
7002219	Wire Shelf Inox 201	610x1220	1230x670x170	-	-	-
7002609	Wire Shelf Inox 201	610x1370	1380x670x170	-	-	-
7002220	Wire Shelf Inox 201	610x1520	1540x 670x170	-	-	-
7002292	Wire Shelf Inox 201	610x1830	1840x670x170	-	-	-

Sinks, Neutral Furnishing

Demountable Shelving Units, 4 Level, h:1600mm. Demonte İstif Rafları, 4 Katlı, h:1600mm.

AISI 304 Demountable Shelves / Demonte İstif Rafları AISI 304

Code Kod	Description Açıklama	Ext. Dim. (mm.) Dış Ölçü (mm.)	Box Dim. (mm.) Koli Ölçü (mm.)	Palette Dim. Palet Ölçüsü	Box Unit Kutu Adedi	U.Price € B.Fiyat €
7002556	İstif Rafı / Shelving Unit, 304	760x360x1600	770x400x170	-	4	
7002564	İstif Rafı / Shelving Unit, 304	910x360x1600	920x400x170	-	4	
7002571	İstif Rafı / Shelving Unit, 304	1070x360x1600	1080x400x170	-	4	
7002579	İstif Rafı / Shelving Unit, 304	1220x360x1600	1230x400x170	-	4	
7002123	İstif Rafı / Shelving Unit, 304	1370x360x1600	1380x400x170	-	4	
7002593	İstif Rafı / Shelving Unit, 304	1520x360x1600	1530x400x170	-	4	
7002125	İstif Rafı / Shelving Unit, 304	1830x360x1600	1840x400x170	-	4	
7002558	İstif Rafı / Shelving Unit, 304	760x460x1600	770x500x170	-	4	
7002566	İstif Rafı / Shelving Unit, 304	910x460x1600	920x500x170	-	4	
7002573	İstif Rafı / Shelving Unit, 304	1070x460x1600	1080x500x170	-	4	
7002581	İstif Rafı / Shelving Unit, 304	1220x460x1600	1230x500x170	-	4	
7002587	İstif Rafı / Shelving Unit, 304	1370x460x1600	1380x500x170	-	4	
7002595	İstif Rafı / Shelving Unit, 304	1520x460x1600	1530x500x170	-	4	
7002601	İstif Rafı / Shelving Unit, 304	1830x460x1600	1840x500x170	-	4	
7002560	İstif Rafı / Shelving Unit, 304	760x530x1600	770x570x170	-	4	
7002121	İstif Rafı / Shelving Unit, 304	910x530x1600	920x570x170	-	4	
7002575	İstif Rafı / Shelving Unit, 304	1070x530x1600	1080x570x170	-	4	
7002122	İstif Rafı / Shelving Unit, 304	1220x530x1600	1230x570x170	-	4	
7002589	İstif Rafı / Shelving Unit, 304	1370x530x1600	1380x570x170	-	4	
7002124	İstif Rafı / Shelving Unit, 304	1520x530x1600	1530x570x170	-	4	
7002603	İstif Rafı / Shelving Unit, 304	1830x530x1600	1840x570x170	-	4	
7002562	İstif Rafı / Shelving Unit, 304	760x610x1600	770x650x170	-	4	
7002569	İstif Rafı / Shelving Unit, 304	910x610x1600	920x650x170	-	4	
7002577	İstif Rafı / Shelving Unit, 304	1070x610x1600	1080x650x170	-	4	
7002584	İstif Rafı / Shelving Unit, 304	1220x610x1600	1230x650x170	-	4	
7002591	İstif Rafı / Shelving Unit, 304	1370x610x1600	1380x650x170	-	4	
7002598	İstif Rafı / Shelving Unit, 304	1520x610x1600	1530x650x170	-	4	
7002126	İstif Rafı / Shelving Unit, 304	1830x610x1600	1840x650x170	-	4	

Demountable Shelving Units, 4 Level, h:1600mm. Demonte İstif Rafları, 4 Katlı, h:1600mm.

AISI 201 Demountable Shelves / Demonte İstif Rafları AISI 201

Code Kod	Description Açıklama	Ext. Dim. (mm.) Dış Ölçü (mm.)	Box Dim. (mm.) Koli Ölçü (mm.)	Palette Dim. Palet Ölçüsü	Box Unit Kutu Adedi	U.Price € B.Fiyat €
7002509	İstif Raflı / Shelving Unit, 201	760x360x1600	770x400x170	-	4	
7002517	İstif Raflı / Shelving Unit, 201	910x360x1600	920x400x170	-	4	
7002522	İstif Raflı / Shelving Unit, 201	1070x360x1600	1080x400x170	-	4	
7002530	İstif Raflı / Shelving Unit, 201	1220x360x1600	1230x400x170	-	4	
7002093	İstif Raflı / Shelving Unit, 201	1370x360x1600	1380x400x170	-	4	
7002540	İstif Raflı / Shelving Unit, 201	1520x360x1600	1530x400x170	-	4	
7002100	İstif Raflı / Shelving Unit, 201	1830x360x1600	1840x400x170	-	4	
7002511	İstif Raflı / Shelving Unit, 201	760x460x1600	770x500x170	-	4	
7002087	İstif Raflı / Shelving Unit, 201	910x460x1600	920x500x170	-	4	
7002524	İstif Raflı / Shelving Unit, 201	1070x460x1600	1080x500x170	-	4	
7002019	İstif Raflı / Shelving Unit, 201	1220x460x1600	1230x500x170	-	4	
7002094	İstif Raflı / Shelving Unit, 201	1370x460x1600	1380x500x170	-	4	
7002097	İstif Raflı / Shelving Unit, 201	1520x460x1600	1530x500x170	-	4	
7002101	İstif Raflı / Shelving Unit, 201	1830x460x1600	1840x500x170	-	4	
7002513	İstif Raflı / Shelving Unit, 201	760x530x1600	770x570x170	-	4	
7002519	İstif Raflı / Shelving Unit, 201	910x530x1600	920x570x170	-	4	
7002526	İstif Raflı / Shelving Unit, 201	1070x530x1600	1080x570x170	-	4	
7002092	İstif Raflı / Shelving Unit, 201	1220x530x1600	1230x570x170	-	4	
7002095	İstif Raflı / Shelving Unit, 201	1370x530x1600	1380x570x170	-	4	
7002543	İstif Raflı / Shelving Unit, 201	1520x530x1600	1530x570x170	-	4	
7002103	İstif Raflı / Shelving Unit, 201	1830x530x1600	1840x570x170	-	4	
7002515	İstif Raflı / Shelving Unit, 201	760x610x1600	770x650x170	-	4	
7002088	İstif Raflı / Shelving Unit, 201	910x610x1600	920x650x170	-	4	
7002528	İstif Raflı / Shelving Unit, 201	1070x610x1600	1080x650x170	-	4	
7002534	İstif Raflı / Shelving Unit, 201	1220x610x1600	1230x650x170	-	4	
7002096	İstif Raflı / Shelving Unit, 201	1370x610x1600	1380x650x170	-	4	
7002098	İstif Raflı / Shelving Unit, 201	1520x610x1600	1530x650x170	-	4	
7002104	İstif Raflı / Shelving Unit, 201	1830x610x1600	1840x650x170	-	4	

Sinks, Neutral Furnishing

Demountable Shelving Units, 4 Level, h:1800mm. Demonte İstif Rafları, 4 Katlı, h:1800mm.

AISI 304 Demountable Shelves / Demonte İstif Rafları AISI 304

Code Kod	Description Açıklama	Ext. Dim. (mm.) Dış Ölçü (mm.)	Box Dim. (mm.) Koli Ölçü (mm.)	Palette Dim. Palet Ölçüsü	Box Unit Kutu Adedi	U.Price € B.Fiyat €
7002557	İstif Raflı / Shelving Unit, 304	760x360x1800	770x400x170	-	4	
7002565	İstif Raflı / Shelving Unit, 304	910x360x1800	920x400x170	-	4	
7002572	İstif Raflı / Shelving Unit, 304	1070x360x1800	1080x400x170	-	4	
7002580	İstif Raflı / Shelving Unit, 304	1220x360x1800	1230x400x170	-	4	
7002586	İstif Raflı / Shelving Unit, 304	1370x360x1800	1380x400x170	-	4	
7002594	İstif Raflı / Shelving Unit, 304	1520x360x1800	1530x400x170	-	4	
7002600	İstif Raflı / Shelving Unit, 304	1830x360x1800	1840x400x170	-	4	
7002559	İstif Raflı / Shelving Unit, 304	760x460x1800	770x500x170	-	4	
7002567	İstif Raflı / Shelving Unit, 304	910x460x1800	920x500x170	-	4	
7002574	İstif Raflı / Shelving Unit, 304	1070x460x1800	1080x500x170	-	4	
7002582	İstif Raflı / Shelving Unit, 304	1220x460x1800	1230x500x170	-	4	
7002588	İstif Raflı / Shelving Unit, 304	1370x460x1800	1380x500x170	-	4	
7002596	İstif Raflı / Shelving Unit, 304	1520x460x1800	1530x500x170	-	4	
7002602	İstif Raflı / Shelving Unit, 304	1830x460x1800	1840x500x170	-	4	
7002561	İstif Raflı / Shelving Unit, 304	760x530x1800	770x570x170	-	4	
7002568	İstif Raflı / Shelving Unit, 304	910x530x1800	920x570x170	-	4	
7002576	İstif Raflı / Shelving Unit, 304	1070x530x1800	1080x570x170	-	4	
7002583	İstif Raflı / Shelving Unit, 304	1220x530x1800	1230x570x170	-	4	
7002590	İstif Raflı / Shelving Unit, 304	1370x530x1800	1380x570x170	-	4	
7002597	İstif Raflı / Shelving Unit, 304	1520x530x1800	1530x570x170	-	4	
7002604	İstif Raflı / Shelving Unit, 304	1830x530x1800	1840x570x170	-	4	
7002563	İstif Raflı / Shelving Unit, 304	760x610x1800	770x650x170	-	4	
7002570	İstif Raflı / Shelving Unit, 304	910x610x1800	920x650x170	-	4	
7002578	İstif Raflı / Shelving Unit, 304	1070x610x1800	1080x650x170	-	4	
7002585	İstif Raflı / Shelving Unit, 304	1220x610x1800	1230x650x170	-	4	
7002592	İstif Raflı / Shelving Unit, 304	1370x610x1800	1380x650x170	-	4	
7002599	İstif Raflı / Shelving Unit, 304	1520x610x1800	1530x650x170	-	4	
7002605	İstif Raflı / Shelving Unit, 304	1830x610x1800	1840x650x170	-	4	

Demountable Shelving Units, 4 Level, h:1800mm. Demonte İstif Rafları, 4 Katlı, h:1800mm.

AISI 201 Demountable Shelves / Demonte İstif Rafları AISI 201

Code Kod	Description Açıklama	Ext. Dim. (mm.) Dış Ölçü (mm.)	Box Dim. (mm.) Koli Ölçü (mm.)	Palette Dim. Palet Ölçüsü	Box Unit Kutu Adedi	U.Price € B.Fiyat €
7002510	İstif Rafı / Shelving Unit, 201	760x360x1800	770x400x170	-	4	
7002518	İstif Rafı / Shelving Unit, 201	910x360x1800	920x400x170	-	4	
7002523	İstif Rafı / Shelving Unit, 201	1070x360x1800	1080x400x170	-	4	
7002531	İstif Rafı / Shelving Unit, 201	1220x360x1800	1230x400x170	-	4	
7002536	İstif Rafı / Shelving Unit, 201	1370x360x1800	1380x400x170	-	4	
7002541	İstif Rafı / Shelving Unit, 201	1520x360x1800	1530x400x170	-	4	
7002546	İstif Rafı / Shelving Unit, 201	1830x360x1800	1840x400x170	-	4	
7002512	İstif Rafı / Shelving Unit, 201	760x460x1800	770x500x170	-	4	
7004363	İstif Rafı / Shelving Unit, 201	910x460x1800	920x500x170	-	4	
7002525	İstif Rafı / Shelving Unit, 201	1070x460x1800	1080x500x170	-	4	
7002532	İstif Rafı / Shelving Unit, 201	1220x460x1800	1230x500x170	-	4	
7002537	İstif Rafı / Shelving Unit, 201	1370x460x1800	1380x500x170	-	4	
7002542	İstif Rafı / Shelving Unit, 201	1520x460x1800	1530x500x170	-	4	
7002547	İstif Rafı / Shelving Unit, 201	1830x460x1800	1840x500x170	-	4	
7002514	İstif Rafı / Shelving Unit, 201	760x530x1800	770x570x170	-	4	
7002520	İstif Rafı / Shelving Unit, 201	910x530x1800	920x570x170	-	4	
7002527	İstif Rafı / Shelving Unit, 201	1070x530x1800	1080x570x170	-	4	
7002533	İstif Rafı / Shelving Unit, 201	1220x530x1800	1230x570x170	-	4	
7002538	İstif Rafı / Shelving Unit, 201	1370x530x1800	1380x570x170	-	4	
7002544	İstif Rafı / Shelving Unit, 201	1520x530x1800	1530x570x170	-	4	
7002548	İstif Rafı / Shelving Unit, 201	1830x530x1800	1840x570x170	-	4	
7002516	İstif Rafı / Shelving Unit, 201	760x610x1800	770x650x170	-	4	
7002521	İstif Rafı / Shelving Unit, 201	910x610x1800	920x650x170	-	4	
7002529	İstif Rafı / Shelving Unit, 201	1070x610x1800	1080x650x170	-	4	
7002535	İstif Rafı / Shelving Unit, 201	1220x610x1800	1230x650x170	-	4	
7002539	İstif Rafı / Shelving Unit, 201	1370x610x1800	1380x650x170	-	4	
7002545	İstif Rafı / Shelving Unit, 201	1520x610x1800	1530x650x170	-	4	
7002549	İstif Rafı / Shelving Unit, 201	1830x610x1800	1840x650x170	-	4	

S/S Kitchen Accessories Paslanmaz Mutfak Aksesuarları



- GN Containers *GN Kvetler*
- Polycarbonate GN Containers *Polikarbonat GN Kvetler*
- Carrying Trays & Containers *Taşıma Tepsileri, Yemek Taşımalar*
- Pots & Pans *Silindirik Tencereler*
- Others *Diğer Aksesuarlar*

GN Containers - Standart / GN Küvetler - Standart



Code Kod	Description Açıklama	Ext. Dim. (mm.) Dış Ölçü (mm.)	Box Dim. (mm.) Koli Ölçü (mm.)	Palette Dim. Palet Ölçüsü	Box Unit Kutu Adedi	U.Price € B.Fiyat €
6005642	2/1-20	650x530x20	660x550x120	-	10	
6005660	2/1-40	650x530x40	660x550x160	-	10	
6005537	2/1-65	650x530x65	660x550x160	-	10	
6005538	2/1-100	650x530x100	660x550x290	-	10	
6005539	2/1-150	650x530x150	660x550x360	-	10	
6005643	2/1-200	650x530x200	660x550x360	-	5	
6005656	1/1-20	530x325x20	540x360x120	-	20	
6005510	1/1-40	530x325x40	540x360x240	-	20	
6005637	1/1-65	530x325x65	540x360x240	-	20	
6005657	1/1-100	530x325x100	540x360x355	-	15	
6005638	1/1-150	530x325x150	540x360x420	-	15	
6005512	1/1-200	530x325x200	540x360x420	-	9	
6005662	2/4-20	162x530x20	540x360x120	-	20	
6005547	2/4-40	162x530x40	540x360x120	-	20	
6005663	2/4-65	162x530x65	540x360x290	-	20	
6005548	2/4-100	162x530x100	540x360x320	-	20	
6005549	2/4-150	162x530x150	540x360x420	-	20	
6005541	2/3-20	354x325x20	540x360x240	-	20	
6005542	2/3-40	354x325x40	540x360x240	-	20	
6005545	2/3-65	354x325x65	540x360x355	-	20	
6005661	2/3-100	354x325x100	540x360x420	-	20	
6005644	2/3-150	354x325x150	540x360x420	-	15	
6005645	2/3-200	354x325x200	540x360x420	-	12	

S/S Kitchen Accessories

GN Containers - Standart / GN Kuvetler - Standart



Code Kod	Description Açıklama	Ext. Dim. (mm.) Dış Ölçü (mm.)	Box Dim. (mm.) Koli Ölçü (mm.)	Palette Dim. Palet Ölçüsü	Box Unit Kutu Adedi	U.Price € B.Fiyat €
6005514	1/2-20	325x265x20	540X360X120	-	20	
6005515	1/2-40	325x265x40	540X360X120	-	20	
6005517	1/2-60	325x265x65	540X360X180	-	20	
6005518	1/2-100	325x265x100	540X360X240	-	15	
6005519	1/2-150	325x265x150	540X360X420	-	20	
6005520	1/2-200	325x265x200	540X360X420	-	10	
6005639	1/3-20	325x176x20	540X360X120	-	25	
6005521	1/3-40	325x176x40	540X360X120	-	25	
6005523	1/3-65	325x176x65	540X360X180	-	20	
6005524	1/3-100	325x176x100	540X360X290	-	25	
6005525	1/3-150	325x176x150	540X360X420	-	20	
6005526	1/3-200	325x176x200	540X360X420	-	20	
6005527	1/4-20	265x162x20	540X360X120	-	25	
6005640	1/4-40	265x162x40	540X360X120	-	25	
6005528	1/4-65	265x162x65	540x360x180	-	25	
6005529	1/4-100	265x162x100	540x360x240	-	25	
6005530	1/4-150	265x162x150	540x360x320	-	20	
6005531	1/4-200	265x162x200	540x360x180	-	10	
6005658	1/6-65	176x162x65	540x360x120	-	25	
6005532	1/6-100	176x162x100	540x360x180	-	25	
6005533	1/6-150	176x162x150	540x360x180	-	25	
6005659	1/6-200	176x162x200	540x360x180	-	25	
6005534	1/9-65	176x108x65	540x360x120	-	25	
6005641	1/9-100	176x108x100	540x360x120	-	25	

GN Containers - with Handle / GN Küvetler - Saplı



Code Kod	Description Açıklama	Ext. Dim. (mm.) Dış Ölçü (mm.)	Box Dim. (mm.) Koli Ölçü (mm.)	Palette Dim. Palet Ölçüsü	Box Unit Kutu Adedi	U.Price € B.Fiyat €
6005565	2/1-65 H	650x530x65	550X660X290	-	10	
6005566	2/1-100 H	650x530x100	660X550X360	-	10	
6005567	2/1-150 H	650x530x150	660X550X360	-	10	
6005568	2/1-200 H	650x530x200	660X550X360	-	5	
6005550	1/1-65 H	530x325x65	360X540X240	-	20	
6005551	1/1-100 H	530x325x100	360X540X355	-	15	
6005985	1/1-150 H	530x325x150	360X540X420	-	10	
6005552	1/1-200 H	530x325x200	540X360X420	-	9	
6005647	2/4-65 H	162x530x65	540X360X320	-	20	
6005571	2/4-100 H	162x530x100	540X360X355	-	20	
6005572	2/4-150 H	162x530x150	540X360X420	-	15	
6005665	2/3-65 H	354x325x65	540X360X290	-	15	
6005569	2/3-100 H	354x325x100	540X360X320	-	15	
6005570	2/3-150 H	354x325x150	540X360X360	-	12	
6005990	2/3-200 H	354x325x200	540X360X420	-	10	
6005553	1/2-65 H	325x265x65	540X360X290	-	20	
6005554	1/2-100 H	325x265x100	540X360X320	-	15	
6005987	1/2-150 H	325x265x150	540X360X420	-	20	
6005555	1/2-200 H	325x265x200	540X360X420	-	10	
6005556	1/3-65 H	325x176x65	540X360X290	-	20	
6005557	1/3-100 H	325x176x100	540X360X420	-	25	
6005558	1/3-150 H	325x176x150	540X360X420	-	24	
6005664	1/3-200 H	325x176x200	540X360X420	-	20	

S/S Kitchen Accessories

GN Containers - with Handle / GN Kuvetler - Saplı



Code Kod	Description Açıklama	Ext. Dim. (mm.) Dış Ölçü (mm.)	Box Dim. (mm.) Koli Ölçü (mm.)	Palette Dim. Palet Ölçüsü	Box Unit Kutu Adedi	U.Price € B.Fiyat €
6005559	1/4-65 H	265x162x65	360X540X340	-	25	
6005989	1/4-100 H	265x162x100	360X540X390	-	25	
6005560	1/4-150 H	265x162x150	360X540X420	-	20	
6005561	1/4-200 H	265x162x200	340X540X360	-	10	
6005646	1/6-65 H	176x162x65	540X360X240	-	25	
6005562	1/6-100 H	176x162x100	540X360X320	-	20	
6005563	1/6-150 H	176x162x150	540X360X355	-	20	
6005564	1/6-200 H	176x162x200	540X360X420	-	20	

GN Containers - with Perforated / GN Kuvetler - Delikli



Code Kod	Description Açıklama	Ext. Dim. (mm.) Dış Ölçü (mm.)	Box Dim. (mm.) Koli Ölçü (mm.)	Palette Dim. Palet Ölçüsü	Box Unit Kutu Adedi	U.Price € B.Fiyat €
6005595	2/1-20 P	650x530x20	660x550x120	-	10	
6005668	2/1-40 P	650x530x40	660x550x160	-	10	
6005596	2/1-65 P	650x530x65	660x550x180	-	10	
6006806	2/1-65 P - Combi Steamer	650x530x65	660x550x180	-	10	
6005597	2/1-100 P	650x530x100	660x550x290	-	10	
6005598	2/1-150 P	650x530x150	660x550x360	-	10	
6005599	2/1-200 P	650x530x200	660x550x360	-	5	
6005574	1/1-20 P	530x325x20	540x360x120	-	20	
6005575	1/1-40 P	530x325x40	540x360x240	-	20	
6005649	1/1-65 P	530x325x65	540x360x240	-	20	
6006805	1/1-65 P - Combi Steamer	530x325x65	540x360x240	-	20	
6005576	1/1-100 P	530x325x100	540x360x360	-	15	
6005577	1/1-150 P	530x325x150	540x360x420	-	15	
6005666	1/1-200 P	530x325x200	540x360x420	-	9	
6006059	2/4-20 P	162x530x20	540x360x120	-	20	
6006003	2/4-40 P	162x530x40	540x360x120	-	20	
6006004	2/4-65 P	162x530x65	360x360x290	-	25	
6006005	2/4-100 P	162x530x100	540x360x320	-	20	
6006046	2/4-150 P	162x530x150	540x360x420	-	20	
6005999	2/3-20 P	354x325x20	540x360x240	-	20	
6006058	2/3-40 P	354x325x40	540x360x240	-	20	
6005600	2/3-65 P	354x325x65	540x360x355	-	20	
6005601	2/3-100 P	354x325x100	540x360x420	-	20	
6005602	2/3-150 P	354x325x150	540x360x420	-	15	
6005603	2/3-200 P	354x325x200	540x360x420	-	12	

S/S Kitchen Accessories

GN Containers - Perforated / GN Kuvetler - Delikli



Code Kod	Description Açıklama	Ext. Dim. (mm.) Dış Ölçü (mm.)	Box Dim. (mm.) Koli Ölçü (mm.)	Palette Dim. Palet Ölçüsü	Box Unit Kutu Adedi	U.Price € B.Fiyat €
6005667	1/2-20 P	325x265x20	540X360X120	0	20	
6005991	1/2-40 P	325x265x40	540X360X120	0	20	
6005579	1/2-65 P	325x265x65	540X360X180	0	20	
6005580	1/2-100 P	325x265x100	540X360X240	-	15	
6005581	1/2-150 P	325x265x150	540X360X420	-	20	
6005583	1/2-200 P	325x265x200	540X360X290	-	10	
6005992	1/3-20 P	325x176x20	540X360X120	-	25	
6005584	1/3-40 P	325x176x40	540X360X120	-	25	
6005585	1/3-65 P	325x176x65	540X360X180	-	20	
6005586	1/3-100 P	325x176x100	540X360X290	-	25	
6005587	1/3-150 P	325x176x150	540X360X420	-	20	
6005588	1/3-200 P	325x176x200	540X360X420	-	20	
6005993	1/4-20 P	265x162x20	540X360X120	-	25	
6005994	1/4-40 P	265x162x40	540X360X120	-	25	
6005590	1/4-65 P	265x162x65	540X360X180	-	25	
6005591	1/4-100 P	265x162x100	540X360X240	-	25	
6005592	1/4-150 P	265x162x150	540X360X320	-	20	
6006057	1/4-200 P	265x162x200	540X360X180	-	10	
6005593	1/6-65 P	176x162x65	540X360X120	-	25	
6005594	1/6-100 P	176x162x100	540X360X180	-	25	
6005995	1/6-150 P	176x162x150	540X360X180	-	25	
6005996	1/6-200 P	176x162x200	540X360X120	-	25	

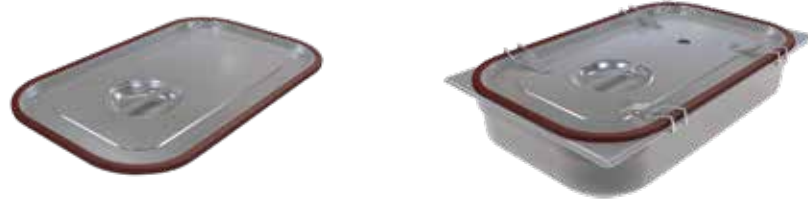
Lids / Standard / with Handle / with Ladle Cut GN Küvet Kapaklar / Standart / Saplı / Kepçe Delikli



Code Kod	Description Açıklama	Ext. Dim. (mm.) Dış Ölçü (mm.)	Box Dim. (mm.) Koli Ölçü (mm.)	Palette Dim. Palet Ölçüsü	Box Unit Kutu Adedi	U.Price € B.Fiyat €
6005609	2/1 L	650x530	550X660X290	0	10	
6005669	1/1 L	530x325	540X360X420	0	20	
6005611	2/4 L	530x162	540X360X240	0	20	
6005652	2/3 L	354x325	540X360X240	0	20	
6005604	1/2 L	325x265	540X360X240	0	20	
6005605	1/3 L	325x176	540X360X180	0	20	
6005651	1/4 L	265x162	540X360X180	-	20	
6005606	1/6 L	176x162	540X360X120	-	20	
6005607	1/9 L	176x108	540X360X120	-	20	
6006027	2/1 LH	650x530	660X550X290	-	10	
6006024	1/1 LH	530x325	360X540X420	-	20	
6006029	2/4 LH	162x530	360X540X180	-	20	
6006028	2/3 LH	354x325	360X540X290	-	20	
6005612	1/2 LH	325x265	360X540X240	-	20	
6005613	1/3 LH	325x176	360X540X180	-	20	
6006025	1/4 LH	265x162	360X540X180	-	20	
6006054	1/6 LH	176x162	360X540X120	-	20	
6006033	2/1 LLC	650x530	660X550X290	-	10	
6005614	1/1 LLC	530x325	360X540X420	-	20	
6006034	2/3 LLC	354x325	360X540X290	-	20	
6005615	1/2 LLC	325x265	360X540X240	-	20	
6005616	1/3 LLC	325x176	360X540X180	-	20	
6006030	1/4 LLC	265x176	360X540X180	-	20	
6005617	1/6 LLC	176x162	360X540X120	-	20	

S/S Kitchen Accessories

Lids with Silicone Joint / Silicone Joint & Clips GN Küvet Kapaklar Contalı / Contalı & Klipsli



Code Kod	Description Açıklama	Ext. Dim. (mm.) Dış Ölçü (mm.)	Box Dim. (mm.) Koli Ölçü (mm.)	Palette Dim. Palet Ölçüsü	Box Unit Kutu Adedi	U.Price € B.Fiyat €
6005623	2/1 LSJ	650x530	550X660X290	-	10	
6005618	1/1 LSJ - Hidden Joint	530x325	540X360X420	-	20	
6006040	1/1 LSJ	530x325	540x360x420	-	10	
6005625	2/3 LSJ	354x325	540X360X240	-	20	
6005620	1/2 LSJ	325x265	540X360X240	-	20	
6005621	1/3 LSJ	325x176	360X540X180	-	20	
6005622	1/4 LSJ	265x162	540X360X180	-	20	
6005672	1/6 LSJ	176x162	540X360X120	-	20	
6005654	1/1 LSJC	530x325	540X360X420	-	10	

GN Containers, 201

Code Kod	Description Açıklama	Ext. Dim. (mm.) Dış Ölçü (mm.)	Box Dim. (mm.) Koli Ölçü (mm.)	Palette Dim. Palet Ölçüsü	Box Unit Kutu Adedi	U.Price € B.Fiyat €
6007255	2/1-20 Standart GN Küvet, 201	-	-	-	1	
6007256	2/1-40 Standart GN Küvet, 201	-	-	-	1	
6007257	2/1-65 Standart GN Küvet, 201	-	-	-	1	
6007242	1/1-20 Standart GN Küvet, 201	-	-	-	1	
6007243	1/1-40 Standart GN Küvet, 201	-	-	-	1	
6007244	1/1-65 Standart GN Küvet, 201	-	-	-	1	
6007262	2/4-20 Standart GN Küvet, 201	-	-	-	1	
6007263	2/4-40 Standart GN Küvet, 201	-	-	-	1	
6007264	2/4-65 Standart GN Küvet, 201	-	-	-	1	
6007259	2/3-20 Standart GN Küvet, 201	-	-	-	1	
6007260	2/3-40 Standart GN Küvet, 201	-	-	-	1	
6007246	1/2-20 Standart GN Küvet, 201	-	-	-	1	
6007247	1/2-40 Standart GN Küvet, 201	-	-	-	1	
6007248	1/2-65 Standart GN Küvet, 201	-	-	-	1	
6007250	1/3-20 Standart GN Küvet, 201	-	-	-	1	
6007251	1/3-40 Standart GN Küvet, 201	-	-	-	1	
6007252	1/3-65 Standart GN Küvet, 201	-	-	-	1	
6007253	1/4-20 Standart GN Küvet, 201	-	-	-	1	
6007254	1/4-40 Standart GN Küvet, 201	-	-	-	1	
6007241	1/1 Standart GN Küvet Kapak, 201	-	-	-	1	
6007261	2/4 Standart GN Küvet Kapak, 201	-	-	-	1	
6007258	2/3 Standart GN Küvet Kapak, 201	-	-	-	1	
6007245	1/2 Standart GN Küvet Kapak, 201	-	-	-	1	
6007249	1/3 Standart GN Küvet Kapak, 201	-	-	-	1	

S/S Kitchen Accessories

Polycarbonate GN Containers & Lids Polikarbon GN Küvetler & Kapaklar



Code Kod	Description Açıklama	Ext. Dim. (mm.) Dış Ölçü (mm.)	Box Dim. (mm.) Koli Ölçü (mm.)	Palette Dim. Palet Ölçüsü	Box Unit Kutu Adedi	U.Price € B.Fiyat €
7002896	1/1-65 Poly	530x325x65	550x350x240	-	6-0	
7002897	1/1-100 Poly	530x325x100	550x350x290	-	6-0	
7002898	1/1-150 Poly	530x325x150	550x350x380	-	6-0	
7002908	1/2-65 Poly	325x265x65	550x350x250	-	12-0	
7002909	1/2-100 Poly	325x265x100	550x350x290	-	12-0	
7002911	1/2-150 Poly	325x265x150	550x350x380	-	12-0	
7002900	1/3-65 Poly	325x176x65	370x350x230	-	12-0	
7002934	1/3-100 Poly	325x176x100	370x350x290	-	12-0	
7002901	1/3-150 Poly	325x176x150	370x350x370	-	12-0	
7002903	1/4-65 Poly	265x162x65	290x350x230	-	12-0	
7002936	1/4-100 Poly	265x162x100	290x350x290	-	12-0	
7002937	1/4-150 Poly	265x162x150	290x350x360	-	12-0	
7002904	1/6-65 Poly	176x162x65	200x350x230	-	12-0	
7002938	1/6-100 Poly	176x162x100	200x350x290	-	12-0	
7002939	1/6-150 Poly	176x162x150	200x350x360	-	12-0	
7002905	1/9-65 Poly	176x108x65	190x230x230	-	12-0	
7002906	1/9-100 Poly	176x108x100	190x230x290	-	12-0	
7002907	1/9-150 Poly	176x108x150	190x230x360	-	12-0	
7002940	1/1 Poly	530x325	210x570x360	-	12-0	
7002941	1/2 Poly	325x265	210x350x300	-	12-0	
7002942	1/3 Poly	325x176	190x350x210	-	12-0	
7002946	1/4 Poly	265x162	190x290x190	-	12-0	
7002947	1/6 Poly	176x162	130x200x200	-	12-0	
7002948	1/9 Poly	176x108	130x200x150	-	12-0	

Cooking & Carrying Trays / Pişirme - Taşıma Tepsileri

AISI 304 Stainless Steel / Paslanmaz Çelik AISI 304



Code Kod	Description Açıklama	Ext. Dim. (mm.) Dış Ölçü (mm.)	Box Dim. (mm.) Koli Ölçü (mm.)	Palette Dim. Palet Ölçüsü	Box Unit Kutu Adedi	U.Price € B.Fiyat €
6004145	Kapaklı / Without Lid	350x450x50	360x540x420	-	10-	
6004165	Kapaklı / Without Lid	350x450x80	360x540x420	-	7-	
6004146	Kapaklı / Without Lid	450x600x50	550x660x290	-	10-	
6004147	Kapaklı / Without Lid	450x600x80	550x660x610	-	7-	
6004148	Kapaklı / Without Lid	450x600x100	550x660x610	-	6-	
6004166	Kapaklı / Without Lid	500x700x50	550x750x420	-	10-	
6004149	Kapaklı / Without Lid	500x700x80	550x750x420	-	10-	
6004150	Kapaklı / Without Lid	500x700x100	550x750x420	-	4-	
6004167	Kapaklı / With Lid	350x450x50	360x540x420	-	10-	
6004152	Kapaklı / With Lid	450x600x50	550x660x290	-	5-	
6004153	Kapaklı / With Lid	500x700x50	550x750x370	-	6-	
6004155	Klipsli, Kapaklı / With Lid & Clips	350x450x80	360x540x420	-	10-	
6004157	Klipsli, Kapaklı / With Lid & Clips	450x600x80	550x660x610	-	7-	
6004158	Klipsli, Kapaklı / With Lid & Clips	450x600x80	550x660x610	-	5-	
6004159	Klipsli, Kapaklı / With Lid & Clips	500x700x80	550x750x420	-	5-	
6004160	Klipsli, Kapaklı / With Lid & Clips	500x700x100	550x750x420	-	4-	

Bain-Marie Containers / Benmari Küvetleri

AISI 304 Stainless Steel / Paslanmaz Çelik AISI 304



Code Kod	Description Açıklama	Ext. Dim. (mm.) Dış Ölçü (mm.)	Box Dim. (mm.) Koli Ölçü (mm.)	Palette Dim. Palet Ölçüsü	Box Unit Kutu Adedi	U.Price € B.Fiyat €
6004003	Benmari Küv. / BM - Containers	250x350x50	360x540x240	-	25	
6004005	Benmari Küv. / BM - Containers	250x350x90	360x540x420	-	15	
6004012	Benmari Küv. / BM - Containers	250x350x140	540x890x570	-	20	
6004006	Benmari Küv. / BM - Containers	300x450x60	360x540x420	-	20	
6004011	Benmari Küv. / BM - Containers	300x450x90	360x540x420	-	15	
6004013	Benmari Küv. / BM - Containers	300x450x140	540x890x570	-	15	
6004008	Benmari Küv. / BM - Containers	480x480x160	550x550x660	-	10	
6004010	Kapak / Lid	480x480	550x660x160	-	10	

S/S Kitchen Accessories

Service Department Trays / Servis Reyon Tepsileri

AISI 304 Stainless Steel / Paslanmaz Çelik AISI 304

Suitable for showcases / Şarküteri dolapları için uygundur.



Code Kod	Description Açıklama	Ext. Dim. (mm.) Dış Ölçü (mm.)	Box Dim. (mm.) Koli Ölçü (mm.)	Palette Dim. Palet Ölçüsü	Box Unit Kutu Adedi	U.Price € B.Fiyat €
6004131	Tepsi / Tray	250x375x20	360x540x120	-	20-	
6004132	Tepsi / Tray	250x375x40	360x540x180	-	20-	
6004133	Tepsi / Tray	250x375x70	360x540x420	-	20-	
6004134	Tepsi / Tray	250x400x20	360x540x120	-	20-	
6004136	Tepsi / Tray	250x750x20	290x830x130	-	10-	
6004137	Tepsi / Tray	250x750x40	290x830x130	-	5-	
6004138	Tepsi / Tray	250x800x20	290x830x130	-	10-	
6004139	Tepsi / Tray	250x800x40	290x830x130	-	5-	

Carrying Containers with S/S Handle / Yemek Taşıma Kapları

AISI 304 Stainless Steel / Paslanmaz Çelik AISI 304



Code Kod	Description Açıklama	Ext. Dim. (mm.) Dış Ölçü (mm.)	Box Dim. (mm.) Koli Ölçü (mm.)	Palette Dim. Palet Ölçüsü	Box Unit Kutu Adedi	U.Price € B.Fiyat €
6005104	Yemek Taşıma / Carrying Container	240x280	540x890x570	-	12-	
6005109	Yemek Taşıma / Carrying Container	300x320	400x800x700	-	5-	
6005111	Yemek Taşıma / Carrying Container	360x360	400x850x400	-	2-	
6005115	Yemek Taşıma / Carrying Container	400x400	400x850x400	-	2-	
6005116	Yemek Taşıma / Carrying Container	500x500	530x530x530	-	1-	
7001928	Yemek Taşıma / Carrying Container	500x500	530x530x530	-	1-	

Jumbo Stockpots / Silindir Tencereler

AISI 304 Stainless Steel without Lid / Paslanmaz Çelik AISI 304 - Kapaksız
Suitable for induction cookers / İndüksiyon ocaklar için uygundur.



Code Kod	Description Açıklama	Ext. Dim. (mm.) Dış Ölçü (mm.)	Box Dim. (mm.) Koli Ölçü (mm.)	Palette Dim. Palet Ölçüsü	Box Unit Kutu Adedi	U.Price € B.Fiyat €
7003391	S/S Deep Vegetable Stockpot 24x24 (10.7 L.)	240x240	270x350x280	-	1	
7003392	S/S Deep Vegetable Stockpot 28x28 (17 L.)	280x280	320x370x320	-	1	
7003393	S/S Deep Vegetable Stockpot 30x29 (20 L.)	300x290	360x400x360	-	1	
7003395	S/S Deep Vegetable Stockpot 32x31 (24,5 L.)	320x310	360x400x360	-	1	
7003396	S/S Deep Vegetable Stockpot 36x35 (35.5 L.)	360x350	400x430x400	-	1	
7003397	S/S Deep Vegetable Stockpot 40x40 (50 L.)	400x400	400x430x400	-	1	
7003398	S/S Deep Vegetable Stockpot 44x43 (65 L.)	440x430	490x490x480	-	1	
7003399	S/S Deep Vegetable Stockpot 48x43 (77.5 L.)	480x430	490x490x480	-	1	
7003387	S/S Deep Vegetable Stockpot 50x50 (98L.)	500x500	550x550x540	-	1	

S/S Kitchen Accessories

Jumbo Stockpots / Silindir Tencereler

AISI 304 Stainless Steel without Lid / Paslanmaz Çelik AISI 304 - Kapaksız
Suitable for induction cookers / İndüksiyon ocaklar için uygundur.



Code Kod	Description Açıklama	Ext. Dim. (mm.) Dış Ölçü (mm.)	Box Dim. (mm.) Koli Ölçü (mm.)	Palette Dim. Palet Ölçüsü	Box Unit Kutu Adedi	U.Price € B.Fiyat €
7003404	S/S Vegetable Stockpot 16x14 (2.8 L.)	160x140	200x270x180	-	1	
7003406	S/S Vegetable Stockpot 20x17 (5 L.)	200x170	240x310x210	-	1	
7003407	S/S Vegetable Stockpot 24x19.5 (8.5 L.)	240x195	270x350x230	-	1	
7003408	S/S Vegetable Stockpot 28x23 (14 L.)	280x230	320x370x270	-	1	
7003409	S/S Vegetable Stockpot 30x24 (16.5 L.)	300x240	320x370x270	-	1	
7003411	S/S Vegetable Stockpot 32x26 (20.5 L.)	320x260	360x400x310	-	1	
7003412	S/S Vegetable Stockpot 36x29 (29.5 L.)	360x290	400x430x340	-	1	
7003413	S/S Vegetable Stockpot 40x32 (40 L.)	400x320	430x460x370	-	1	
7003414	S/S Vegetable Stockpot 44x35 (53 L.)	440x350	480x490x400	-	1	

Stockpots / Silindir Tencereler

AISI 304 Stainless Steel without Lid / Paslanmaz Çelik AISI 304 - Kapaksız
Suitable for induction cookers / İndüksiyon ocaklar için uygundur.



Code Kod	Description Açıklama	Ext. Dim. (mm.) Dış Ölçü (mm.)	Box Dim. (mm.) Koli Ölçü (mm.)	Palette Dim. Palet Ölçüsü	Box Unit Kutu Adedi	U.Price € B.Fiyat €
7003416	S/S Deep Casserole 16x11 (2.2 L.)	160x110	140x200x290	-	1	
7003417	S/S Deep Casserole 18x12 (3 L.)	180x120	240x310x170	-	1	
7003419	S/S Deep Casserole 20x13 (4 L.)	200x130	240x310x170	-	1	
7003421	S/S Deep Casserole 22x14 (5 L.)	220x140	280x350x190	-	1	
7003422	S/S Deep Casserole 24x15 (6.5 L.)	240x150	280x350x190	-	1	
7003423	S/S Deep Casserole 26x16 (8 L.)	260x160	320x370x210	-	1	
7003424	S/S Deep Casserole 28x17 (10 L.)	280x170	320x370x210	-	1	
7003425	S/S Deep Casserole 30x17.5 (12 L.)	300x175	360x400x230	-	1	
7003394	S/S Deep Casserole 32x18 (14 L.)	320x180	360x400x230	-	1	
7003426	S/S Deep Casserole 36x23 (23 L.)	360x230	400x430x280	-	1	
7003427	S/S Deep Casserole 40x25 (31 L.)	400x250	440x460x300	-	1	
7003428	S/S Deep Casserole 44x28 (42.5 L.)	440x280	480x490x330	-	1	
7003429	S/S Deep Casserole 48x31 (56 L.)	480x310	520x520x360	-	1	

S/S Kitchen Accessories

Stockpots / Silindir Tencereler

AISI 304 Stainless Steel without Lid / Paslanmaz Çelik AISI 304 - Kapaksız
Suitable for induction cookers / İndüksiyon ocaklar için uygundur.



Code Kod	Description Açıklama	Ext. Dim. (mm.) Dış Ölçü (mm.)	Box Dim. (mm.) Koli Ölçü (mm.)	Palette Dim. Palet Ölçüsü	Box Unit Kutu Adedi	U.Price € B.Fiyat €
7003430	S/S Casserole 16x7 (1,4 L.)	160x70	100x200x280	-	1	
7003431	S/S Casserole 18x8 (2 L.)	180x80	120x240x340	-	1	
7003432	S/S Casserole 20x9 (2,5 L.)	200x90	120x240x340	-	1	
7003433	S/S Casserole 22x9,5 (3,5 L.)	220x95	135x280x380	-	1	
7003434	S/S Casserole 24x10,5 (4,5 L.)	240x105	135x280x380	-	1	
7003435	S/S Casserole 26x11 (5,5 L.)	260x110	150x320x400	-	1	
7003437	S/S Casserole 28x12 (7 L.)	280x120	150x320x400	-	1	
7003438	S/S Casserole 30x12,5 (8,5 L.)	300x125	360x400x180	-	1	
7003439	S/S Casserole 32x13 (10 L.)	320x130	360x400x180	-	1	
7003440	S/S Casserole 36x14 (14 L.)	360x140	400x430x190	-	1	
7003441	S/S Casserole 40x16 (20 L.)	400x160	440x460x205	-	1	
7003442	S/S Casserole 44x20 (30 L.)	440x200	480x490x245	-	1	
7003512	S/S Casserole 48x23 (41,5 L.)	480x230	520x520x275	-	1	

Shallow Stewpan / Silindir Tencereler

AISI 304 Stainless Steel without Lid / Paslanmaz Çelik AISI 304 - Kapaksız
Suitable for induction cookers / İndüksiyon ocaklar için uygundur.



Code Kod	Description Açıklama	Ext. Dim. (mm.) Dış Ölçü (mm.)	Box Dim. (mm.) Koli Ölçü (mm.)	Palette Dim. Palet Ölçüsü	Box Unit Kutu Adedi	U.Price € B.Fiyat €
7003444	S/S Stewpan 26x6,5(3 L.)	260x65	83x358x358	-	1	
7003445	S/S Stewpan 28x7 (4 L.)	280x70	83x358x358	-	1	
7003446	S/S Stewpan 30x7,5 (5 L.)	300x75	83x358x358	-	1	
7003447	S/S Stewpan 32x7,5 (6 L.)	320x75	93x438x438	-	1	
7003448	S/S Stewpan 36x8 (8 L.)	360x80	93x438x438	-	1	
7003450	S/S Stewpan 40x8 (10 L.)	400x80	103x518x518	-	1	
7003451	S/S Stewpan 44x11(16 L.)	440x111	480x490x250	-	1	
7003452	S/S Stewpan 48x12,5(22 L.)	480x125	520x520x280	-	1	

Deep Casserole (Saucepan) / Derin Kaserol

AISI 304 Stainless Steel without Lid / Paslanmaz Çelik AISI 304 - Kapaksız



Code Kod	Description Açıklama	Ext. Dim. (mm.) Dış Ölçü (mm.)	Box Dim. (mm.) Koli Ölçü (mm.)	Palette Dim. Palet Ölçüsü	Box Unit Kutu Adedi	U.Price € B.Fiyat €
7003526	S/S Casserole 13x6 (0,8L.)	130x60	100x200x280	-	1	
7003453	S/S Deep Casserole 16x11 (2,2 L.)	160x110	140x200x290	-	1	
7003454	S/S Deep Casserole 18x12 (3 L.)	180x120	240x310x170	-	1	
7003455	S/S Deep Casserole 20x13 (4 L.)	200x130	240x310x170	-	1	
7003456	S/S Deep Casserole 22x14 (5 L.)	220x140	280x350x190	-	1	
7003457	S/S Deep Casserole 24x15 (6,5 L.)	240x150	280x350x200	-	1	
7003458	S/S Deep Casserole 28x17 (10 L.)	280x170	320x370x210	-	1	

Casserole (Saucepan) / Kaserol

AISI 304 Stainless Steel without Lid / Paslanmaz Çelik AISI 304 - Kapaksız



Code Kod	Description Açıklama	Ext. Dim. (mm.) Dış Ölçü (mm.)	Box Dim. (mm.) Koli Ölçü (mm.)	Palette Dim. Palet Ölçüsü	Box Unit Kutu Adedi	U.Price € B.Fiyat €
7003466	S/S Casserole 16x7 (1,4L.)	160x70	100x200x280	-	1	
7003467	S/S Casserole 18x8 (2 L.)	180x80	120x240x340	-	1	
7003468	S/S Casserole 20x9 (2,5 L.)	200x90	120x240x340	-	1	
7003469	S/S Casserole 22x9,5(3,5 L.)	220x95	140x280x380	-	1	
7003470	S/S Casserole 24x10,5 (4,5 L.)	240x105	140x280x380	-	1	
7003471	S/S Casserole 28x12 (7 L.)	280x120	150x320x400	-	1	

S/S Kitchen Accessories

Frying Pans with Single Handle / Kızartma Tavasası Tek Saplı

AISI 304 Stainless Steel without Lid / Paslanmaz Çelik AISI 304 - Kapaksız
Suitable for induction cookers / İndüksiyon ocaklar için uygundur.



Code Kod	Description Açıklama	Ext. Dim. (mm.) Dış Ölçü (mm.)	Box Dim. (mm.) Koli Ölçü (mm.)	Palette Dim. Palet Ölçüsü	Box Unit Kutu Adedi	U.Price € B.Fiyat €
7003728	Frying Pan With Single Handle 20x5 (1.4 L.)	200x50	90x240x470	-	1	
7003729	Frying Pan With Single Handle 24x5.5 (2.3 L.)	240x55	90x280x470	-	1	
7003730	Frying Pan With Single Handle 26x5.5 (2.7 L.)	260x55	100x300x520	-	1	
7003731	Frying Pan With Single Handle 28x5.5 (3.2 L.)	280x55	100x300x590	-	1	
7003732	Frying Pan With Single Handle 32x6.5 (5 L.)	320x65	110x260x660	-	1	

Frying Pans with Double Handle / Kızartma Tavasası Çift Saplı

AISI 304 Stainless Steel without Lid / Paslanmaz Çelik AISI 304 - Kapaksız
Suitable for induction cookers / İndüksiyon ocaklar için uygundur.



Code Kod	Description Açıklama	Ext. Dim. (mm.) Dış Ölçü (mm.)	Box Dim. (mm.) Koli Ölçü (mm.)	Palette Dim. Palet Ölçüsü	Box Unit Kutu Adedi	U.Price € B.Fiyat €
7003736	Frying Pan With Double Handle 36x6.5 (6,1 L.)	360x65	120x400x760	-	1	
7003737	Frying Pan With Double Handle 40x7 (8,1 L.)	400x70	125x440x785	-	1	
7003738	Frying Pan With Double Handle 44x7 (10 L.)	440x70	125x480x785	-	1	

Saucepans / Satöz

AISI 304 Stainless Steel without Lid / Paslanmaz Çelik AISI 304 - Kapaksız
Suitable for induction cookers / İndüksiyon ocaklar için uygundur.



Code Kod	Description Açıklama	Ext. Dim. (mm.) Dış Ölçü (mm.)	Box Dim. (mm.) Koli Ölçü (mm.)	Palette Dim. Palet Ölçüsü	Box Unit Kutu Adedi	U.Price € B.Fiyat €
7003513	Saucepan 16x6 (0.9 L.)	160x60	100x200x280	-	1	
7003514	Saucepan 18x6.5 (1.3 L.)	180x65	120x240x340	-	1	
7003515	Saucepan 20x7 (1.8 L.)	200x70	120x240x340	-	1	
7003518	Saucepan 24x7,5 (2.8 L.)	240x75	160x280x510	-	1	

Lids / Kapaklar

AISI 304 Stainless Steel / Paslanmaz Çelik AISI 304



Code Kod	Description Açıklama	Ext. Dim. (mm.) Dış Ölçü (mm.)	Box Dim. (mm.) Koli Ölçü (mm.)	Palette Dim. Palet Ölçüsü	Box Unit Kutu Adedi	U.Price € B.Fiyat €
7003493	Lid Ø 16	160	-	-	1	
7003494	Lid Ø 18	180	-	-	1	
7003495	Lid Ø 20	200	-	-	1	
7003496	Lid Ø 22	220	-	-	1	
7003497	Lid Ø 24	240	-	-	1	
7003498	Lid Ø 26	260	-	-	1	
7003499	Lid Ø 28	280	-	-	1	
7003500	Lid Ø 30	300	-	-	1	
7003501	Lid Ø 32	320	-	-	1	
7003502	Lid Ø 36	360	-	-	1	
7003503	Lid Ø 40	400	-	-	1	
7003504	Lid Ø 44	440	-	-	1	
7003506	Lid Ø 48	480	-	-	1	
7003507	Lid Ø 50	500	-	-	1	

S/S Kitchen Accessories

Ice Cream Containers / Dondurma Kuvetleri

AISI 304 Stainless Steel / Paslanmaz Çelik AISI 304



Code Kod	Description Açıklama	Ext. Dim. (mm.) Dış Ölçü (mm.)	Box Dim. (mm.) Koli Ölçü (mm.)	Palette Dim. Palet Ölçüsü	Box Unit Kutu Adedi	U.Price € B.Fiyat €
6005433	Dondurma Kabi / Ice Cream Cont.	360x170x100	540X890X570	-	60	
6005429	Dondurma Kabi / Ice Cream Cont.	360x170x120	540X890X570	-	50	
6005434	Dondurma Kabi / Ice Cream Cont.	360x170x150	540X890X570	-	35	
6005778	Dondurma Kabi / Ice Cream Cont.	360x250x100	540X890X570	-	50	
6005774	Dondurma Kabi / Ice Cream Cont.	360x250x120	540X890X570	-	50	
6005776	Dondurma Kabi / Ice Cream Cont.	360x250x150	540X890X570	-	35	

Meat Preparation / Et Hazırlık

AISI 304 Stainless Steel / Paslanmaz Çelik AISI 304
Trays for meat mincers / Et-Kıyım makinası tavaları



Code Kod	Description Açıklama	Ext. Dim. (mm.) Dış Ölçü (mm.)	Box Dim. (mm.) Koli Ölçü (mm.)	Palette Dim. Palet Ölçüsü	Box Unit Kutu Adedi	U.Price € B.Fiyat €
6005223	Et Tepsisi / Tray	220x350x60	360x540x420	-	20	-
6005225	Et Tepsisi / Tray	260x640x60	550x660x360	-	20	-
6005226	Et Tepsisi / Tray	300x690x50	-	-	-	-

Mixing Bowls / Mayonez Kabı

AISI 304 Stainless Steel / Paslanmaz Çelik AISI 304
Mixing Bowls / Mayonez Kapları



Code Kod	Description Açıklama	Ext. Dim. (mm.) Dış Ölçü (mm.)	Box Dim. (mm.) Koli Ölçü (mm.)	Palette Dim. Palet Ölçüsü	Box Unit Kutu Adedi	U.Price € B.Fiyat €
7002888	Mayonez Kabı / Mixing Bowl	Ø260x160	-	-	1	-
7002889	Mayonez Kabı / Mixing Bowl	Ø300x150	-	-	1	-
7002892	Mayonez Kabı / Mixing Bowl	Ø360x210	-	-	1	-

Garbage Bins / Çöp Arabaları

AISI 304 Stainless Steel / Paslanmaz Çelik AISI 304
Garbage Bins with Lid / Kapaklı Çöp Kovaları



Code Kod	Description Açıklama	Ext. Dim. (mm.) Dış Ölçü (mm.)	Box Dim. (mm.) Koli Ölçü (mm.)	Palette Dim. Palet Ölçüsü	Box Unit Kutu Adedi	U.Price € B.Fiyat €
6004200	Hareketli Çöp K. / Mobile Bin	Ø400x520	460x500x890	-	1	-
6004208	Hareketli Çöp K. / Mobile Bin	Ø500x520	550x550x660	-	1	-
6004203	Çöp Kovası / Garbage Bin	Ø400x400	460x500x890	-	1	-

Service Line *Servis Hatları*



- *Bain-Marie Wells Benmari Havuzları*
- *Bain-Marie Wells With Uppertable Tablalı Benmari Havuzları*
- *Complemantries Tamamlayıcı Malzemeler*

Bain - Marie Wells / Benmari Havuzları

AISI 304 Stainless Steel without Lid / Paslanmaz Çelik AISI 304



Code Kod	Description Açıklama	Ext. Dim. (mm.) Dış Ölçü (mm.)	Box Dim. (mm.) Koli Ölçü (mm.)	Palette Dim. Palet Ölçüsü	Box Unit Kutu Adedi	U.Price € B.Fiyat €
6000710	Bain Marie Well 1x1/1 H:15	305x505x150	740x740x520	1020x620x900	10-20	
6000715	Bain Marie Well 1x1/1 H:18	305x505x180	740x740x520	1020x620x1100	10-20	
6000720	Bain Marie Well 1x1/1 H:21	305x505x210	740x740x520	1020x620x1300	10-20	
6000749	Bain Marie Well 2x1/1 H:15	510x630x150	740x740x520	1050x650x1700	4-20	
6000755	Bain Marie Well 2x1/1 H:18	510x630x180	740x740x520	1050x650x1700	4-20	
6000760	Bain Marie Well 2x1/1 H:21	510x630x210	740x740x520	1050x650x1700	4-20	
6000774	Bain Marie Well 3x1/1 H:15	510x960x150	1220x770x520	1030x980x1700	3-20	
6000783	Bain Marie Well 3x1/1 H:18	510x960x180	1220x770x520	1030x980x1700	3-20	
6000788	Bain Marie Well 3x1/1 H:21	510x960x210	1220x770x520	1030x980x1700	3-20	
6000820	Bain Marie Well 4x1/1 H:15	510x1280x150	1420x770x520	1030x1300x1700	3-20	
6000832	Bain Marie Well 4x1/1 H:18	510x1280x180	1420x770x520	1030x1300x1700	3-20	
6000839	Bain Marie Well 4x1/1 H:21	510x1280x210	1420x770x520	1030x1300x2200	3-20	
6000862	Bain Marie Well 5x1/1 H:15	510x1600x150	1820x770x520	-	3-	
6000869	Bain Marie Well 5x1/1 H:18	510x1600x180	1820x770x520	-	3-	
6000872	Bain Marie Well 5x1/1 H:21	510x1600x210	1820x770x520	-	3-	
6000807	Bain Marie Well 3x1/4 H:12	245x465x120	-	-	-	
6000885	Bain Marie Well 6x1/1 H:15	510x1920x150	2120x770x520	-	3-	
6000887	Bain Marie Well 6x1/1 H:18	510x1920x180	2120x770x520	-	3-	
6000892	Bain Marie Well 6x1/1 H:21	510x1920x210	2120x770x520	-	3-	
6000854	Bain Marie Well 51x80x12	510x800x120	1220x770x520	-	3-	
6000855	Bain Marie Well 51x80x18	510x800x180	1220x770x520	-	3-	



Bain - Marie Wells (Monoblock) / Benmari Havuzları (Monoblok)

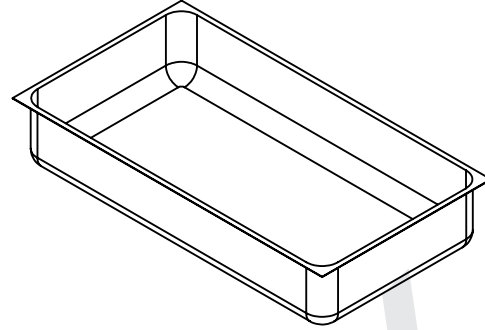
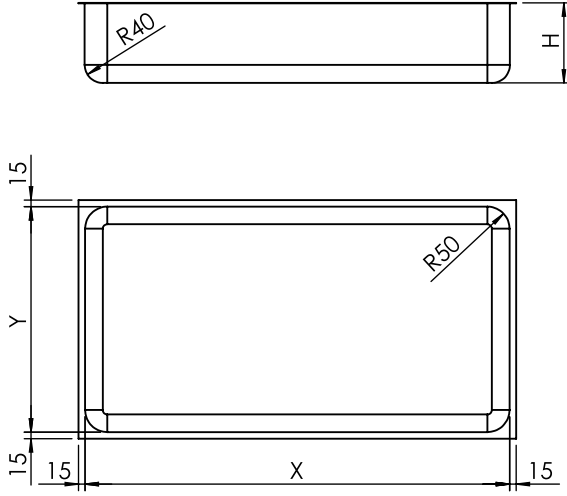
AISI 304 Stainless Steel without Lid / Paslanmaz Çelik AISI 304

Crosswise +50mm., Lengthwise +80mm. / Enine +50mm., Boyuna +80mm.

Suitable for built in Saladbars / Saladbarlar için uygundur.

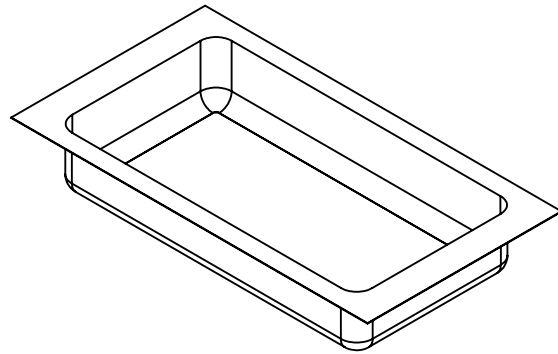
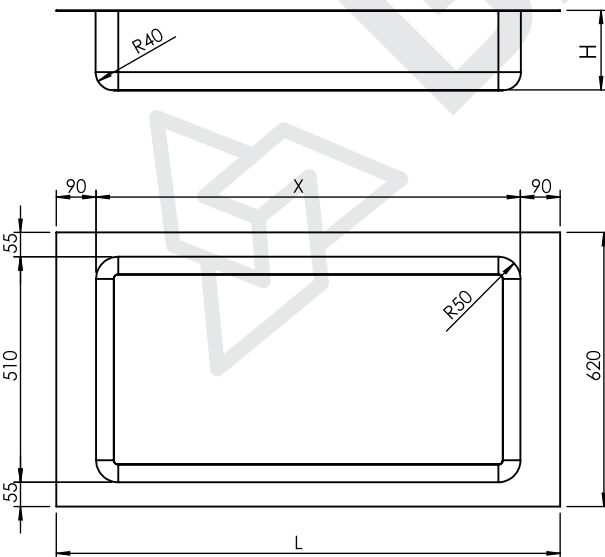


Code Kod	Description Açıklama	Ext. Dim. (mm.) Dış Ölçü (mm.)	Box Dim. (mm.) Koli Ölçü (mm.)	Palette Dim. Palet Ölçüsü	Box Unit Kutu Adedi	U.Price € B.Fiyat €
6000775	Bain Marie Well 3x1/1 H:15 (Monoblok)	1120x610x150	1220x670x520	-	3-	
6000784	Bain Marie Well 3x1/1 H:18 (Monoblok)	1120x610x180	1220x670x520	-	3-	
6000822	Bain Marie Well 4x1/1 H:15 (Monoblok)	1440x610x150	1620x670x520	-	3-	
6000833	Bain Marie Well 4x1/1 H:18 (Monoblok)	1440x610x180	1620x670x520	-	3-	
6000864	Bain Marie Well 5x1/1 H:15 (Monoblok)	1760x610x150	1820x670x520	-	3-	
6000870	Bain Marie Well 5x1/1 H:18 (Monoblok)	1760x610x180	1820x670x520	-	3-	
6000884	Bain Marie Well 6x1/1 H:15 (Monoblok)	2090x610x150	2120x670x520	-	3-	
6000886	Bain Marie Well 6x1/1 H:18 (Monoblok)	2090x610x180	2120x670x520	-	3-	



Açıklama (Description)	X (mm)	Y (mm)	H (mm)
1 GN 1/1, Benmari	507	306	150/180/210
2 GN 1/1, Benmari	630	510	150/180/210
3 GN 1/1, Benmari	960	510	150/180/210
4 GN 1/1, Benmari	1280	510	150/180/210
5 GN 1/1, Benmari	1600	510	150/180/210
6 GN 1/1, Benmari	1930	510	150/180/210
3 GN 1/4, Benmari	465	245	120/140
10 GN 1/4, Benmari	800	510	120/180/210

Benmari Havuzları Monoblok (Bain-Marie Wells Monoblock)



Açıklama (Description)	L (mm)	X (mm)	H (mm)
3 GN 1/1, Monoblock	1140	960	150 / 180
4 GN 1/1, Monoblock	1460	1280	150 / 180
5 GN 1/1, Monoblock	1780	1600	150 / 180
6 GN 1/1, Monoblock	2110	1930	150 / 180

Bain - Marie Units with Uppertable / *Tablalı Benmari Havuzu*

AISI 304 Stainless Steel without Lid / *Paslanmaz Çelik AISI 304*



Code <i>Kod</i>	Description <i>Açıklama</i>	Ext. Dim. (mm.) <i>Dış Ölçü (mm.)</i>	Box Dim. (mm.) <i>Koli Ölçü (mm.)</i>	Palette Dim. <i>Palet Ölçüsü</i>	Box Unit <i>Kutu Adedi</i>	U.Price € <i>B.Fiyat €</i>
6000500	3 GN 1/1	1140x700x180	1220x770x520	1160x740x2000	3-10	
6000241	3 GN 1/1	1200x700x180	1220x770x520	1250x740x2000	3-10	
6000502	3 GN 1/1	1400x700x180	1420x770x520	1450x740x2000	3-10	
6000245	3 GN 1/1	1600x700x180	1620x770x520	1630x740x2000	3-10	
6000382	3 GN 1/1 + 1/1 (Neutral)	1400x700x180	1420x770x520	-	3-9	
6000384	3 GN 1/1 + 1/1 (Neutral)	1500x700x180	1620x770x520	-	3-10	
6000520	3 GN 1/1 + 1/1 (Neutral)	1600x700x180	1620x770x520	-	3-10	
6000576	3 GN 1/1 + 3 GN 1/1	2100x700x180	2200x770x520	-	3	
6000484	4 GN 1/1	1500x700x180	1620x770x520	-	3-10	
6000485	4 GN 1/1	1600x700x180	1620x770x520	-	3-10	
6000593	4 GN 1/1	2000x700x180	2020x770x520	-	3-10	
6000308	4 GN 1/1 + 1/1 (Neutral)	1800x700x180	1820x770x520	-	3-10	
6000310	4 GN 1/1 + 1/1 (Neutral)	2000x700x180	2020x770x520	-	3-10	
6000348	5 GN 1/1	1800x700x180	1820x770x520	-	3-10	
6000373	6 GN 1/1	2100x700x180	2220x770x520	-	3	

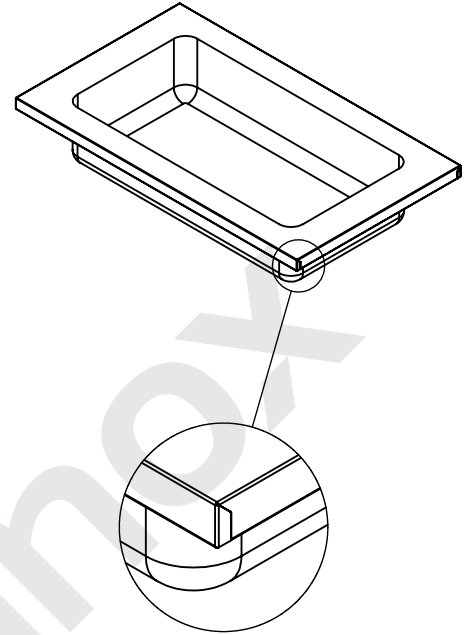
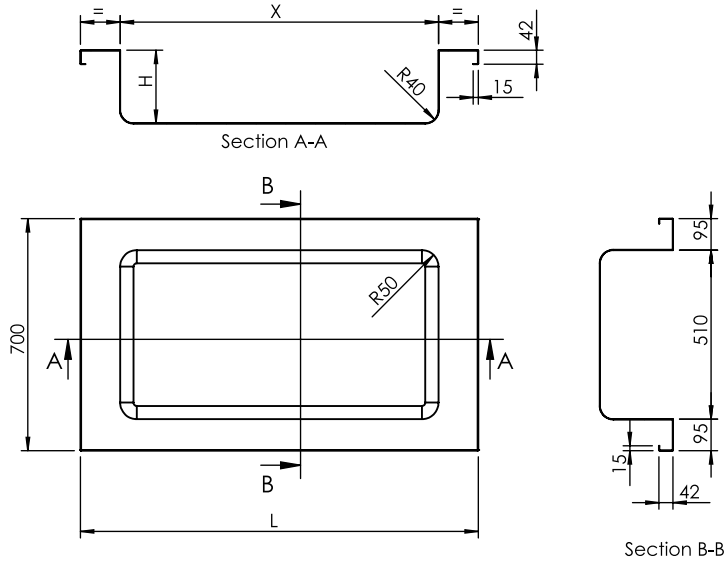
Bain - Marie Units with Uppertable / Tablalı Benmari Havuzları

AISI 304 Stainless Steel without Lid / Paslanmaz Çelik AISI 304



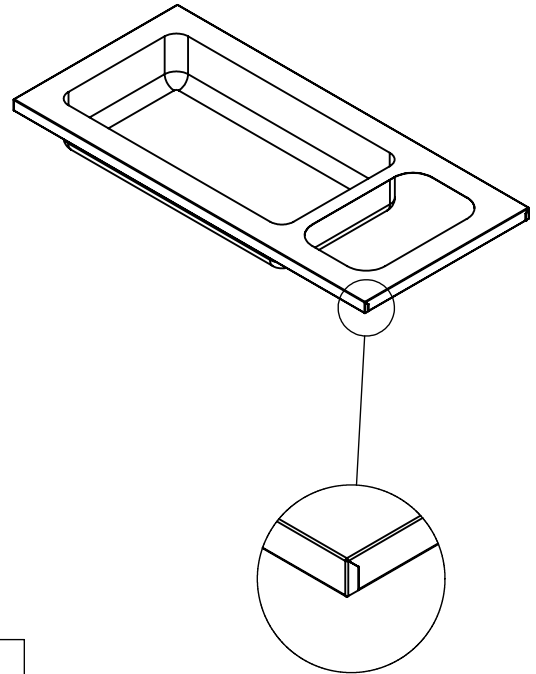
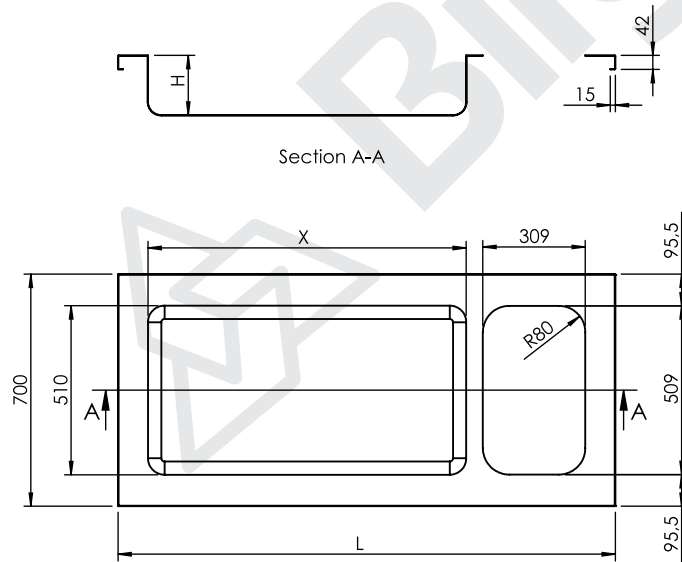
Code Kod	Description Açıklama	Ext. Dim. (mm.) Dış Ölçü (mm.)	Box Dim. (mm.) Koli Ölçü (mm.)	Palette Dim. Palet Ölçüsü	Box Unit Kutu Adedi	U.Price € B.Fiyat €
6000556	3 GN 1/1	1140x700x220	1220x770x520	1180x740x2000	3-9	
6000260	3 GN 1/1	1200x700x220	1220x770x520	1230x740x2000	3-9	
6000261	3 GN 1/1	1400x700x220	1420x770x520	1430x740x2000	3-9	
6000263	3 GN 1/1	1600x700x220	1620x770x520	1630x740x2000	3-9	
6000392	3 GN 1/1 + 1/1 (Neutral)	1400x700x220	1420x770x520	-	3-9	
6000393	3 GN 1/1 + 1/1 (Neutral)	1500x700x220	1620x770x520	-	3-9	
6000394	3 GN 1/1 + 1/1 (Neutral)	1600x700x220	1620x770x520	-	3-9	
6000395	3 GN 1/1 + 3 GN 1/1	1800x700x220	1820x770x520	-	3-9	
6000397	4 GN 1/1	2000x700x220	2020x770x520	-	3-9	
6000578	4 GN 1/1	2100x700x220	2200x770x520	-	3	
6000511	4 GN 1/1	1500x700x220	1620x770x520	-	3-9	
6000561	4 GN 1/1 + 1/1 (Neutral)	1600x700x220	1620x770x520	-	3-9	
6000562	4 GN 1/1 + 1/1 (Neutral)	1600x700x220	2020x770x520	-	3-9	
6000355	5 GN 1/1	1800x700x220	1820x770x520	-	3-9	
6000378	6 GN 1/1	2100x700x220	2220x770x520	-	3	

**TABLALI BENMARI HAVUZLARI
(BAIN - MARIE UNITS UPPERTABLE)**



Açıklama (Description)	L (mm)	X (mm)	H (mm)
3 GN 1/1	1200	960	180 / 220
4 GN 1/1	1500	1280	180 / 220
5 GN 1/1	1800	1600	180 / 220
6 GN 1/1	2100	1930	180 / 220

Standart Köşe
(Standard Corner)



Açıklama (Description)	L (mm)	X (mm)	H (mm)
GN 3x1/1 + 1/1 Neutral(Nötr)	1500	960	180 / 220
GN 4x1/1 + 1/1 Neutral(Nötr)	1800	1280	180 / 220

Standart Köşe
(Standard Corner)

Uppertable for hot service trolley / Sıcak servis arabası üst tabla

AISI 304 Stainless Steel without Lid / Paslanmaz Çelik AISI 304



Code Kod	Description Açıklama	Ext. Dim. (mm.) Dış Ölçü (mm.)	Box Dim. (mm.) Koli Ölçü (mm.)	Palette Dim. Palet Ölçüsü	Box Unit Kutu Adedi	U.Price € B.Fiyat €
6000637	Bain Marie Units with Uppertable 3x(l/1 h.: 20-22) (116x64)	1160x640x220	-	-	1	
6000665	Bain Marie Units with Uppertable 4x(l/1 h.: 25) (160x64)	1600x640x250	-	-	1	

Service Trolley / Servis ArabasıAISI 304 Stainless Steel without Lid / Paslanmaz Çelik AISI 304
Demountable / Demonte

Code Kod	Description Açıklama	Ext. Dim. (mm.) Dış Ölçü (mm.)	Box Dim. (mm.) Koli Ölçü (mm.)	Palette Dim. Palet Ölçüsü	Box Unit Kutu Adedi	U.Price € B.Fiyat €
7000762	2 Katlı / 2 Levels	550x850x900	950x550x200	-	1	
7000726	3 Katlı / 3 Levels	550x850x900	950x550x200	-	1	

Service Line

Side Panel for Refrigerators / *Buzdolabı Yan Sacı*

AISI 304 Stainless Steel without Lid / *Paslanmaz Çelik AISI 304*
Consult for pricing / *Fiyat sorunuz.*

Code <i>Kod</i>	Description <i>Açıklama</i>	Ext. Dim. (mm.) <i>Dış Ölçü (mm.)</i>	Box Dim. (mm.) <i>Koli Ölçü (mm.)</i>	Palette Dim. <i>Palet Ölçüsü</i>	Box Unit <i>Kutu Adedi</i>	U.Price € <i>B.Fiyat €</i>
6005166	Yan Panel, 26 Kat / Side Panel, 26 Levels	1525x820	-	-	-	-

Side Panel for Banquet Trolleys / *Banket Arabası Yan Sacı*

AISI 304 Stainless Steel without Lid / *Paslanmaz Çelik AISI 304*
Consult for pricing / *Fiyat sorunuz.*



Code <i>Kod</i>	Description <i>Açıklama</i>	Ext. Dim. (mm.) <i>Dış Ölçü (mm.)</i>	Box Dim. (mm.) <i>Koli Ölçü (mm.)</i>	Palette Dim. <i>Palet Ölçüsü</i>	Box Unit <i>Kutu Adedi</i>	U.Price € <i>B.Fiyat €</i>
6005137	Yan Panel, 15 Kat / Side Panel, 15 Levels	1540x850	-	-	-	-
6005129	Yan Panel, 15 Kat / Side Panel, 15 Levels	1500x830	-	-	-	-

Bottom Panel for Banquet Trolleys / *Taban Sacı*

AISI 304 Stainless Steel without Lid / *Paslanmaz Çelik AISI 304*
Consult for pricing / *Fiyat sorunuz.*



Code <i>Kod</i>	Description <i>Açıklama</i>	Ext. Dim. (mm.) <i>Dış Ölçü (mm.)</i>	Box Dim. (mm.) <i>Koli Ölçü (mm.)</i>	Palette Dim. <i>Palet Ölçüsü</i>	Box Unit <i>Kutu Adedi</i>	U.Price € <i>B.Fiyat €</i>
6005122	Taban Sacı / Bottom Panel	650x850	-	-	-	-

Modular Cooker Tops

Modüler Pişiriciler



- 600 Line Modular Cooker Tops *600 Seri Modüler Pişiriciler*
- 700 Line Modular Cooker Tops *700 Seri Modüler Pişiriciler*
- 900 Line Modular Cooker Tops *900 Seri Modüler Pişiriciler*
- Complemantries *Tamamlayıcı Malzemeler*

Cooker Tops, 600 Serie / Pişirici Üst Tablalar, 600 Serisi

AISI 304 Stainless Steel / Paslanmaz Çelik AISI 304

Modular cooker tops for 600 Serie, custom made production.

600 Seri için modüler pişirici üst tablalar, özel üretim.

Consult for pricing / Fiyat sorunuz.



Code Kod	Description Açıklama	Ext. Dim. (mm.) Dış Ölçü (mm.)	Box Dim. (mm.) Koli Ölçü (mm.)	Palette Dim. Palet Ölçüsü	Box Unit Kutu Adedi	U.Price € B.Fiyat €
6004494	1/2 Modül 2 Li Gazlı Ocak / 1/2 Module 2 Gas Range, 600 Serie	400x570	-	-	-	-
6004495	1/1 Modül 4 Lü Gazlı Ocak / 1/1 Module 4 Gas Range, 600 Serie	600x570	-	-	-	-
6004492	1/2 Modül 2 Li Elek. Ocak / 1/2 Module 2 Elec. Range, 600 Serie	400x570	-	-	-	-
6004493	1/1 Modül 4 Lü Elek. Ocak / 1/1 Module 4 Elec. Range, 600 Serie	600x570	-	-	-	-
6006364	1/2 Modül Nötr Çalışma Tez. / 1/2 Module Neutral W.Top, 600 Serie	400x570	-	-	-	-
6006365	1/1 Modül Nötr Çalışma Tez. / 1/1 Module Neutral W.Top, 600 Serie	600x570	-	-	-	-
6004496	1/2 Modül Tekli Fritöz / 1/2 Module Single D.F.F, 600 Serie	400x570	220x350x220	-	-	-
6004497	1/1 Modül Çiftli Fritöz / 1/1 Module Double D.F.F, 600 Serie	600x570	220x350x220	-	-	-
6004498	1/2 Modül Patates Dinlendirici / 1/2 Module Chip Scuttle, 600 Serie	400x570	245x465x140	-	-	-
6004499	1/2 Modül Makarna Haşlama / 1/2 Module Pasta Cooker, 600 Serie	400x570	220x350x250	-	-	-
6004500	1/2 Modül Sos B.M. / 1/2 Module Sauce B.M., 600 Serie	400x570	245x465x140	-	-	-

Modular Cooker Tops

Cooker Tops, 700 Serie, Mini / Pişirici Üst Tablalar, 700 Serie, Mini

AISI 304 Stainless Steel / Paslanmaz Çelik AISI 304

Uppertables t.: 1,00 mm / Üst tablalar t.: 1,00 mm

Modular cooker tops for 700 Serie, custom made production.

700 Seri için modüler pişirici üst tablalar, özel üretim.

Consult for pricing / Fiyat sorunuz.



Code Kod	Description Açıklama	Ext. Dim. (mm.) Dış Ölçü (mm.)	Box Dim. (mm.) Koli Ölçü (mm.)	Palette Dim. Palet Ölçüsü	Box Unit Kutu Adedi	U.Price € B.Fiyat €
6004504	1/2 Modül 2 Li Gazlı Ocak / 1/2 Module 2 Gas Range, 700 Serie	400x650	305x505x40	-	-	-
6004505	1/1 Modül 4 Lü Gazlı Ocak / 1/1 Module 4 Gas Range, 700 Serie	800x650	305x505x40	-	-	-
6004506	1/2 Modül 6 Lü Gazlı Ocak / 1/2 Module 6 Gas Range, 700 Serie	1200x650	305x505x40	-	-	-
6004501	1/2 Modül 2 Li Elek. Ocak / 1/2 Module 2 Elec. Range, 700 Serie	400x650	-	-	-	-
6004502	1/1 Modül 4 Lü Elek. Ocak / 1/1 Module 4 Elec. Range, 700 Serie	800x650	-	-	-	-
6004503	1/2 Modül 6 Lü Elek. Ocak / 1/2 Module 6 Elec. Range, 700 Serie	1200x650	-	-	-	-
6004858	1/2 Modül Izgara / 1/2 Module Fry Top, 700 Serie	400x650	-	-	-	-
6004859	1/1 Modül Izgara / 1/1 Module Fry Top, 700 Serie	800x650	-	-	-	-
6005031	1/1 Modül Kapalı D. Izgara / 1/1 Module Solid Top Range, 700 Serie	800x650	-	-	-	-
6004510	1/2 Modül Tekli Fritöz / 1/2 Module Single D.F.F, 700 Serie	400x650	270x470x235	-	-	-
6004511	1/1 Modül Çiftli Fritöz / 1/1 Module Double D.F.F, 700 Serie	800x650	270x470x235	-	-	-
6004516	1/2 Modül Patates Dinlendirici / 1/2 Module Chip Scuttle, 700 Serie	400x650	305x505x150	-	-	-
6004514	1/2 Modül Makarna Haşlama / 1/2 Module Pasta Cooker, 700 Serie	400x650	300x530x300	-	-	-
6004515	1/1 Modül Makarna Haşlama / 1/1 Module Pasta Cooker, 700 Serie	800x650	300x530x300	-	-	-
6004517	1/2 Modül Sos B.M. / 1/2 Module Sauce B.M., 700 Serie	400x650	305x505x150	-	-	-
6004518	1/1 Modül Sos B.M. / 1/1 Module Sauce B.M., 700 Serie	800x650	305x505x150	-	-	-
6005508	Devrilir Tava, 50 Lt. / Pan for Bratt-Pan, 50 L, 700 Serie	650x615	-	-	-	-
6004246	Kaynatma Tenceresi, Çift Cidarlı, Kapaklı, 80 Lt. / Boiling Pan, Indirect, With Lid, 80 L., 700 Serie	800x650	Ø500x440	-	-	-
6004295	Kaynatma Tenceresi, Tek Cidarlı, Kapaklı, 80 Lt. / Boiling Pan, Direct, With Lid, 80 L., 700 Serie	800x650	Ø500x440	-	-	-

Cooker Tops, 700 Serie, Sedan / Pişirici Üst Tablalar, 700 Serie, Sedan

AISI 304 Stainless Steel / Paslanmaz Çelik AISI 304

Uppertables t.: 1,20 mm / Üst tablalar t.: 1,20 mm

Modular cooker tops for 700 Serie, custom made production.

700 Seri için modüler pişirici üst tablalar, özel üretim.

Consult for pricing / Fiyat sorunuz.



Code Kod	Description Açıklama	Ext. Dim. (mm.) Dış Ölçü (mm.)	Box Dim. (mm.) Koli Ölçü (mm.)	Palette Dim. Palet Ölçüsü	Box Unit Kutu Adedi	U.Price € B.Fiyat €
6005010	1/2 Modül 2 Li Gazlı Ocak / 1/2 Module 2 Gas Range, 700 Serie, Sedan	400x650	305x505x40	-	-	-
6005011	1/1 Modül 4 Lü Gazlı Ocak / 1/1 Module 4 Gas Range, 700 Serie, Sedan	800x650	305x505x40	-	-	-
6005012	1/2 Modül 6 Lı Gazlı Ocak / 1/2 Module 6 Gas Range, 700 Serie, Sedan	1200x650	305x505x40	-	-	-
6005013	1/2 Modül 2 Li Elek. Ocak / 1/2 Module 2 Elec. Range, 700 Serie, Sedan	400x650	-	-	-	-
6005014	1/1 Modül 4 Lü Elek. Ocak / 1/1 Module 4 Elec. Range, 700 Serie, Sedan	800x650	-	-	-	-
6005015	1/2 Modül 6 Lı Elek. Ocak / 1/2 Module 6 Elec. Range, 700 Serie, Sedan	1200x650	-	-	-	-
6005016	1/2 Modül Izgara / 1/2 Module Fry Top, 700 Serie, Sedan	400x650	-	-	-	-
6005017	1/1 Modül Izgara / 1/1 Module Fry Top, 700 Serie, Sedan	800x650	-	-	-	-
6005018	1/1 Modül Kapalı D. Izgara / 1/1 Module Solid Top Range, 700 Serie, Sedan	800x650	-	-	-	-
6005019	1/2 Modül Gazlı Fritöz / 1/2 Module Gas D.F.F, 700 Serie, Sedan	400x650	305x365x340	-	-	-
6005020	1/1 Modül Gazlı Fritöz / 1/1 Module Gas D.F.F, 700 Serie, Sedan	800x650	305x365x340	-	-	-
6005021	1/2 Modül Elektrikli Fritöz / 1/2 Module Elec. D.F.F, 700 Serie, Sedan	400x650	305x365x300	-	-	-
6005022	1/1 Modül Elektrikli Fritöz / 1/1 Module Elec. D.F.F, 700 Serie, Sedan	800x650	305x365x300	-	-	-
6005023	1/2 Modül Patates Dinlendirici / 1/2 Module Chip Scuttle, 700 Serie, Sedan	400x650	305x505x150	-	-	-
6005024	1/2 Modül Gazlı Mak. Haşlama / 1/2 Module Gas Pasta Cook., 700 Serie, Sedan	400x650	305x365x340	-	-	-
6005025	1/1 Modül Gazlı Mak. Haşlama / 1/1 Module Gas Pasta Cook., 700 Serie, Sedan	800x650	305x365x340	-	-	-
6005026	1/2 Modül Elektrikli Mak. Haşlama / 1/2 Module Elec. Pasta Cook., 700 Serie, Sedan	400x650	305x365x300	-	-	-
6005027	1/1 Modül Elektrikli Mak. Haşlama / 1/1 Module Elec. Pasta Cook., 700 Serie, Sedan	800x650	305x365x300	-	-	-
6005028	1/2 Modül Sos B.M. / 1/2 Module Sauce B.M., 700 Serie, Sedan	400x650	305x505x150	-	-	-
6005029	1/1 Modül Sos B.M. / 1/1 Module Sauce B.M., 700 Serie, Sedan	800x650	305x505x150	-	-	-
6005508	Devrilir Tava, 50 Lt. / Pan for Bratt-Pan, 50 L, 700 Serie	650x615	-	-	-	-
6004246	Kaynatma Tenceresi, Çift Cidarlı, Kapaıklı, 80 Lt. / Boiling Pan, Indirect, With Lid, 80 L., 700 Serie	800x650	Ø500x440	-	-	-
6004295	Kaynatma Tenceresi, Tek Cidarlı, Kapaıklı, 80 Lt. / Boiling Pan, Direct, With Lid, 80 L., 700 Serie	800x650	Ø500x440	-	-	-

Modular Cooker Tops

Cooker Tops, 700 Serie, Pro / Pişirici Üst Tablalar, 700 Serie, Pro

AISI 304 Stainless Steel / Paslanmaz Çelik AISI 304

Uppertables t.: 1,50 mm / Üst tablalar t.: 1,50 mm

Modular cooker tops for 700 Serie, custom made production.

700 Seri için modüler pişirici üst tablalar, özel üretim.

Consult for pricing / Fiyat sorunuz.



Code Kod	Description Açıklama	Ext. Dim. (mm.) Dış Ölçü (mm.)	Box Dim. (mm.) Koli Ölçü (mm.)	Palette Dim. Palet Ölçüsü	Box Unit Kutu Adedi	U.Price € B.Fiyat €
6004983	1/2 Modül Gazlı Fritöz / 1/2 Module Gas D.F.F, 700 Serie, Pro	400x650	305x365x340	-	-	-
6004987	1/1 Modül Gazlı Fritöz / 1/1 Module Gas D.F.F, 700 Serie, Pro	800x650	305x365x340	-	-	-
6004853	1/2 Modül Elektrikli Fritöz / 1/2 Module Elec. D.F.F, 700 Serie, Pro	400x650	305x365x300	-	-	-
6004984	1/1 Modül Elektrikli Fritöz / 1/1 Module Elec. D.F.F, 700 Serie, Pro	800x650	305x365x300	-	-	-
6004988	1/2 Modül Gazlı Mak. Haşlama / 1/2 Module Gas Pasta Cook., 700 Serie, Pro	400x650	300x530x340	-	-	-
6004989	1/1 Modül Gazlı Mak. Haşlama / 1/1 Module Gas Pasta Cook., 700 Serie, Pro	800x650	300x530x340	-	-	-
6004909	1/2 Modül Elektrikli Mak. Haşlama / 1/2 Module Elec. Pasta Cook., 700 Serie, Pro	400x650	305x365x300	-	-	-
6004910	1/1 Modül Elektrikli Mak. Haşlama / 1/1 Module Elec. Pasta Cook., 700 Serie, Pro	800x650	305x365x300	-	-	-

Cooker Tops, 900 Serie, Mini / Pişirici Üst Tablalar, 900 Serie, Mini

AISI 304 Stainless Steel / Paslanmaz Çelik AISI 304

Uppertables t.: 1,00 mm / Üst tablalar t.: 1,00 mm

Modular cooker tops for 700 Serie, custom made production.

700 Seri için modüler pişirici üst tablalar, özel üretim.

Consult for pricing / Fiyat sorunuz.



Code Kod	Description Açıklama	Ext. Dim. (mm.) Dış Ölçü (mm.)	Box Dim. (mm.) Koli Ölçü (mm.)	Palette Dim. Palet Ölçüsü	Box Unit Kutu Adedi	U.Price € B.Fiyat €
6004522	1/2 Modül 2 Li Gazlı Ocak / 1/2 Module 2 Gas Range, 900 Serie	400x850	373x640x50	-	-	-
6004523	1/1 Modül 4 Lü Gazlı Ocak / 1/1 Module 4 Gas Range, 900 Serie	800x850	373x640x50	-	-	-
6004524	1/1/2 Modül 6 Lü Gazlı Ocak / 1/1/2 Module 6 Gas Range, 900 Serie	1200x850	373x640x50	-	-	-
6004519	1/2 Modül 2 Li Elekt. Ocak / 1/2 Module 2 Elec. Range, 900 Serie	400x850	373x640x50	-	-	-
6004868	1/1 Modül 4 Li Elekt. Ocak / 1/1 Module 4 Elec. Range, 900 Serie	800x850	373x640x50	-	-	-
6004521	1/1/2 Modül 6 Lü Elekt. Ocak / 1/1/2 Module 6 Elec. Range, 900 Serie	1200x850	373x640x50	-	-	-
6004860	1/2 Modül Izgara / 1/2 Module Fry Top, 900 Serie	400x850	373x640x50	-	-	-
6004861	1/1 Modül Izgara / 1/1 Module Fry Top, 900 Serie	800x850	373x640x50	-	-	-
6005030	1/1 Modül Kapalı D. Izgara / 1/1 Module Solid Top Range, 900 Serie	800x850	373x640x50	-	-	-
6004525	1/2 Modül Tekli Fritöz / 1/2 Module Single D.F.F, 900 Serie	400x850	320x680x300	-	-	-
6004526	1/1 Modül Çiftli Fritöz / 1/1 Module Double D.F.F, 900 Serie	800x850	320x680x300	-	-	-
6004532	1/2 Modül Patates Dinlendirici / 1/2 Module Chip Scuttle, 900 Serie	400x850	305x505x150	-	-	-
6004527	1/2 Modül Makarna Haşlama / 1/2 Module Pasta Cooker, 900 Serie	400x850	320x680x300	-	-	-
6004528	1/1 Modül Makarna Haşlama / 1/1 Module Pasta Cooker, 900 Serie	800x850	320x680x300	-	-	-
6004529	1/2 Modül Sos B.M. / 1/2 Module Sauce B.M., 900 Serie	400x850	305x505x180	-	-	-
6004530	1/1 Modül Sos B.M. / 1/1 Module Sauce B.M., 900 Serie	800x850	305x505x180	-	-	-
6005502	Devrilir Tava, 80 Lt. / Pan for Bratt-Pan, 80 L., 900 Serie	790x725x200	-	-	-	-
6005506	Devrilir Tava, 120 Lt. / Pan for Bratt-Pan, 120 L., 900 Serie	1160x730x198	-	-	-	-
6004210	Kaynatma Tenceresi, Çift Cidarlı, Kapaklı, 100 Lt. / Boiling Pan, Indirect, With Lid, 100 L., 900 Serie	800x850	Ø600x410	-	-	-
6004215	Kaynatma Tenceresi, Çift Cidarlı, Kapaklı, 150 Lt. / Boiling Pan, Indirect, With Lid, 150 L., 900 Serie	800x850	Ø600x570	-	-	-
6004287	Kaynatma Tenceresi, Tek Cidarlı, Kapaklı, 100 Lt. / Boiling Pan, Direct, With Lid, 100 L., 900 Serie	800x850	Ø600x410	-	-	-
6004280	Kaynatma Tenceresi, Tek Cidarlı, Kapaklı, 150 Lt. / Boiling Pan, Direct, With Lid, 150 L., 900 Serie	800x850	Ø600x570	-	-	-

Modular Cooker Tops

Cooker Tops, 900 Serie, Sedan / Pişirici Üst Tablalar, 900 Serie, Sedan

AISI 304 Stainless Steel / Paslanmaz Çelik AISI 304

Uppertables t.: 1,20 mm / Üst tablalar t.: 1,20 mm

Modular cooker tops for 700 Serie, custom made production.

700 Seri için modüler pişirici üst tablalar, özel üretim.

Consult for pricing / Fiyat sorunuz.



Code Kod	Description Açıklama	Ext. Dim. (mm.) Dış Ölçü (mm.)	Box Dim. (mm.) Koli Ölçü (mm.)	Palette Dim. Palet Ölçüsü	Box Unit Kutu Adedi	U.Price € B.Fiyat €
6004990	1/2 Modül 2 Li Gazlı Ocağ / 1/2 Module 2 Gas Range, 900 Serie, Sedan	400x850	325x640x50	-	-	-
6004991	1/1 Modül 4 Lü Gazlı Ocağ / 1/1 Module 4 Gas Range, 900 Serie, Sedan	800x850	325x640x50	-	-	-
6004992	1 1/2 Modül 6 Lı Gazlı Ocağ / 1 1/2 Module 6 Gas Range, 900 Serie, Sedan	1200x850	325x640x50	-	-	-
6004993	1/2 Modül 2 Li Elek. Ocağ / 1/2 Module 2 Elec. Range, 900 Serie, Sedan	400x850	-	-	-	-
6004994	1/1 Modül 4 Lü Elek. Ocağ / 1/1 Module 4 Elec. Range, 900 Serie, Sedan	800x850	-	-	-	-
6004995	1 1/2 Modül 6 Lı Elek. Ocağ / 1 1/2 Module 6 Elec. Range, 900 Serie, Sedan	1200x850	-	-	-	-
6004996	1/2 Modül Izgara / 1/2 Module Fry Top, 900 Serie, Sedan	400x850	-	-	-	-
6004997	1/1 Modül Izgara / 1/1 Module Fry Top, 900 Serie, Sedan	800x850	-	-	-	-
6004998	1/1 Modül Kapalı D. Izgara / 1/1 Module Solid Top Range, 900 Serie, Sedan	800x850	-	-	-	-
6004999	1/2 Modül Gazlı Fritöz / 1/2 Module Gas D.F.F, 900 Serie, Sedan	400x850	320x450x340	-	-	-
6005000	1/1 Modül Gazlı Fritöz / 1/1 Module Gas D.F.F, 900 Serie, Sedan	800x850	320x450x340	-	-	-
6005001	1/2 Modül Elektrikli Fritöz / 1/2 Module Elec. D.F.F, 900 Serie, Sedan	400x850	320x450x300	-	-	-
6005002	1/1 Modül Elektrikli Fritöz / 1/1 Module Elec. D.F.F, 900 Serie, Sedan	800x850	320x450x300	-	-	-
6005003	1/2 Modül Patates Dinlendirici / 1/2 Module Chip Scuttle, 900 Serie, Sedan	400x850	305x505x180	-	-	-
6005004	1/2 Modül Gazlı Mak. Haşlama / 1/2 Module Gas Pasta Cook., 900 Serie, Sedan	400x850	320x450x340	-	-	-
6005005	1/1 Modül Gazlı Mak. Haşlama / 1/1 Module Gas Pasta Cook., 900 Serie, Sedan	800x850	320x450x340	-	-	-
6005006	1/2 Modül Elektrikli Mak. Haşlama / 1/2 Module Elec. Pasta Cook., 900 Serie, Sedan	400x850	320x450x300	-	-	-
6005007	1/1 Modül Elektrikli Mak. Haşlama / 1/1 Module Elec. Pasta Cook., 900 Serie, Sedan	800x850	320x450x300	-	-	-
6005008	1/2 Modül Sos B.M. / 1/2 Module Sauce B.M., 900 Serie, Sedan	400x850	305x505x180	-	-	-
6005009	1/1 Modül Sos B.M. / 1/1 Module Sauce B.M., 900 Serie, Sedan	800x850	305x505x180	-	-	-
6005002	Devrilir Tava, 80 Lt. / Pan for Bratt-Pan, 80 L, 900 Serie	790x725x200	-	-	-	-
6005006	Devrilir Tava, 120 Lt. / Pan for Bratt-Pan, 120 L, 900 Serie	1160x730x198	-	-	-	-
6004210	Kaynatma Tenceresi, Çift Cidarlı, Kapaklı, 100 Lt. / Boiling Pan, Indirect, With Lid, 100 L., 900 Serie	800x850	Ø600x410	-	-	-
6004215	Kaynatma Tenceresi, Çift Cidarlı, Kapaklı, 150 Lt. / Boiling Pan, Indirect, With Lid, 150 L., 900 Serie	800x850	Ø600x570	-	-	-
6004287	Kaynatma Tenceresi, Tek Cidarlı, Kapaklı, 100 Lt. / Boiling Pan, Direct, With Lid, 100 L., 900 Serie	800x850	Ø600x410	-	-	-
6004280	Kaynatma Tenceresi, Tek Cidarlı, Kapaklı, 150 Lt. / Boiling Pan, Direct, With Lid, 150 L., 900 Serie	800x850	Ø600x570	-	-	-

Cooker Tops, 900 Serie, Pro / Pişirici Üst Tablalar, 900 Serie, Pro

AISI 304 Stainless Steel / Paslanmaz Çelik AISI 304

Uppertables t.: 1,50 mm / Üst tablalar t.: 1,50 mm

Modular cooker tops for 700 Serie, custom made production.

700 Seri için modüler pişirici üst tablalar, özel üretim.

Consult for pricing / Fiyat sorunuz.



Code Kod	Description Açıklama	Ext. Dim. (mm.) Dış Ölçü (mm.)	Box Dim. (mm.) Koli Ölçü (mm.)	Palette Dim. Palet Ölçüsü	Box Unit Kutu Adedi	U.Price € B.Fiyat €
6004797	1/2 Modül Gazlı Fritöz / 1/2 Module Gas D.F.F, 900 Serie	400x900	320x450x340			
6004966	1/1 Modül Gazlı Fritöz / 1/1 Module Gas D.F.F, 900 Serie	800x900	320x450x340			
6004976	1/2 Modül Elektrikli Fritöz / 1/2 Module Elec. D.F.F, 900 Serie	400x900	320x450x300			
6004977	1/1 Modül Elektrikli Fritöz / 1/1 Module Elec. D.F.F, 900 Serie	800x900	320x450x300			
6004985	1/2 Modül Gazlı Mak. Haşlama / 1/2 Module Gas Pasta Cook., 900 Serie, Sedan	400x900	320x450x340			
6004986	1/1 Modül Gazlı Mak. Haşlama / 1/1 Module Gas Pasta Cook., 900 Serie, Sedan	800x900	320x450x340			
6004978	1/2 Modül Elektrikli Mak. Haşlama / 1/2 Module Elec. Pasta Cook., 900 Serie, Sedan	400x900	320x450x300			
6004979	1/1 Modül Elektrikli Mak. Haşlama / 1/1 Module Elec. Pasta Cook., 900 Serie, Sedan	800x900	320x450x300			

Modular Cooker Tops

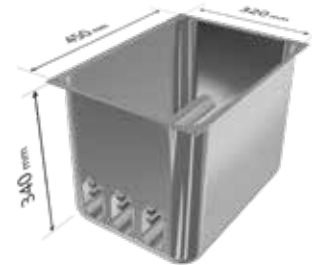
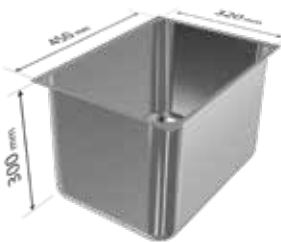
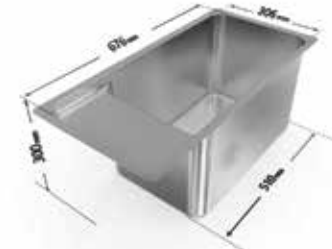
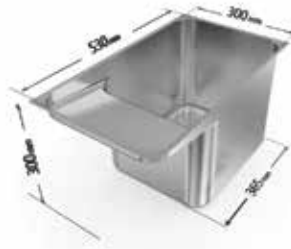
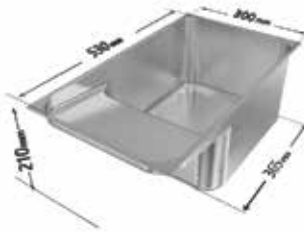
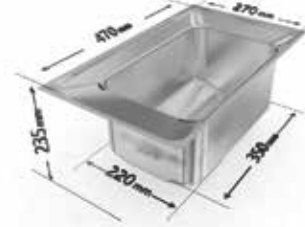
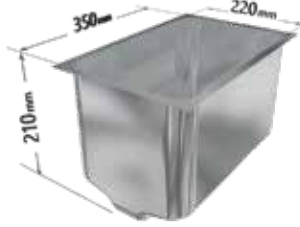
Boiling Pan / Kaynatma Tenceresi

Code Kod	Description Açıklama	Ext. Dim. (mm.) Dış Ölçü (mm.)	Box Dim. (mm.) Koli Ölçü (mm.)	Palette Dim. Palet Ölçüsü	Box Unit Kutu Adedi	U.Price € B.Fiyat €
6004229	Boiling Pan, Indirect, With Lid, 200 L.	980x995	Ø700x540	-	-	-
6006504	Boiling Pan, Indirect, With Lid, 250 L.	980x995	Ø700x540	-	-	-
6004234	Boiling Pan, Indirect, With Lid, 300 L.	1200x1215	Ø850x500	-	-	-
6004244	Boiling Pan, Indirect, With Lid, 400 L.	1200x1215	Ø850x710	-	-	-
6004307	Boiling Pan, Indirect, With Lid, 450 L.	1120x1050	Ø850x800	-	-	-
6004283	Boiling Pan, Direct, With Lid, 200 L.	980x995	Ø700x540	-	-	-
6004292	Boiling Pan, Direct, With Lid, 250 L.	980x995	Ø700x660	-	-	-
6006505	Boiling Pan, Direct, With Lid, 300 L.	1200x1215	Ø850x500	-	-	-

Wire Shelves / Tel Izgaralar

Code Kod	Description Açıklama	Ext. Dim. (mm.) Dış Ölçü (mm.)	Box Dim. (mm.) Koli Ölçü (mm.)	Palette Dim. Palet Ölçüsü	Box Unit Kutu Adedi	U.Price € B.Fiyat €
7002800	Wire Shelf1/1	530x325	550x360x100	-	10	
7002802	Wire Shelf2/1	650x530	680x570x100	-	10	
7002804	Wire Shelf40/60	400x600	650x440x100	-	10	
7002799	Wire Shelf1/1, 201	530x325	550x360x100	-	10	
7002801	Wire Shelf2/1, 201	650x530	680x570x100	-	10	
7002803	Wire Shelf40/60, 201	400x600	650x440x100	-	10	

Deep Fat Fryer Wells / Fritöz Havuzları



Code Kod	Description Açıklama	Ext. Dim. (mm.) Dış Ölçü (mm.)	Box Dim. (mm.) Koli Ölçü (mm.)	Palette Dim. Palet Ölçüsü	Box Unit Kutu Adedi	U.Price € B.Fiyat €
6000896	D.F.F. Well, 600 Serie Without Bench, 25x35x20	250x350x200	-	-	-	-
6000914	D.F.F. Well, 600 Serie Without Bench, 25x35x22	250x350x220	-	-	-	-
6000895	D.F.F. Well, 600 Serie Without Bench, 22.5x35x23.5	225x350x235	-	-	-	-
6000903	D.F.F. Well, 700 Serie With Bench, 27x47x23.5	270x470x235	-	-	-	-
6000904	D.F.F. Well, 700 Serie With Bench, 30x53x21	300x530x210	-	-	-	-
6000917	D.F.F. Well, 700 Serie, 30x36x30	305x365x300	-	-	-	-
6000923	D.F.F. Well, 700 Serie, 30x36x34	305x365x340	-	-	-	-
6000928	Gas D.F.F. Well, 700 Serie, 30x36x34	305x365x340	-	-	-	-
6000905	Pasta Cooker Well, 700 Serie With Bench, 30x53x30	300x530x300	-	-	-	-
6000915	D.F.F. Well, 900 Serie With Bench, 32x68x30	320x680x300	-	-	-	-
6000912	D.F.F. Well, 900 Serie With Bench, With Groove, 32x68x30	320x680x300	-	-	-	-
6000911	D.F.F. Well, 900 Serie With Bench, 30x67x30	306x676x300	-	-	-	-
6000930	D.F.F. Well, 900 Serie, 32x45x30	320x450x300	-	-	-	-
6000927	D.F.F. Well, 900 Serie, 32x45x34	320x450x340	-	-	-	-
6000929	Gas D.F.F. Well, 900 Serie, 32x45x34	320x450x340	-	-	-	-

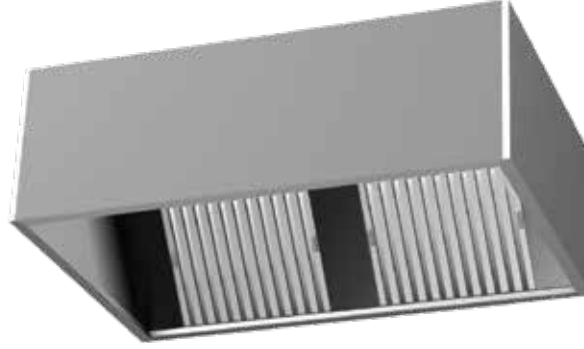
Modular Cooker Tops



FRİTÖZ HAVUZLARI (FRYER WELLS)

<p>H:200mm H:210mm H:220mm H:235mm H:250mm</p> <p>600/700 Serie</p>	<p>H:200mm H:210mm H:220mm H:230mm H:240mm H:250mm</p> <p>600/700 Serie</p>
<p>H:300mm H:350mm</p> <p>700 Serie</p>	<p>H:235mm</p> <p>700 Serie</p>
<p>H:210mm H:225mm H:300mm</p> <p>700 Serie</p>	<p>H:300mm</p> <p>900 Serie</p>
<p>H:300mm</p> <p>900 Serie</p>	<p>H:300mm</p> <p>900 Serie</p>

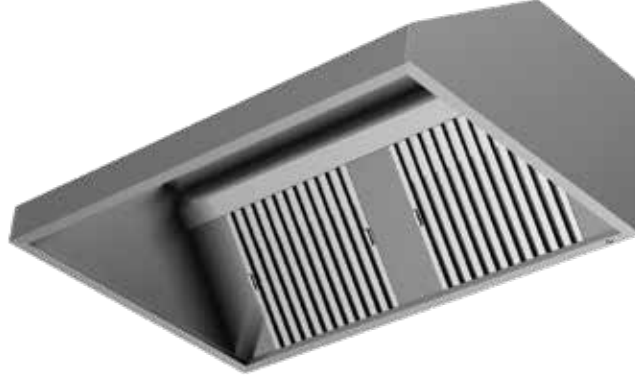
Box Wall Type Hood / Davlumbaz Kutu Tip Filtreli



Code Kod	Description Açıklama	Ext. Dim. (mm.) Dış Ölçü (mm.)	Box Dim. (mm.) Koli Ölçü (mm.)	Palette Dim. Palet Ölçüsü	Box Unit Kutu Adedi	U.Price € B.Fiyat €
7001759	Kutu Tipi / Box Wall Type	1000x1100x400	1050x1150x450	-	1	
7001681	Kutu Tipi / Box Wall Type	1000x900x400	1050x950x450	-	1	
7001760	Kutu Tipi / Box Wall Type	1500x1100x400	1550x1150x450	-	1	
7001761	Kutu Tipi / Box Wall Type	1500x900x400	1550x950x450	-	1	
7001762	Kutu Tipi / Box Wall Type	2000x1100x400	2050x1150x450	-	1	
7001763	Kutu Tipi / Box Wall Type	2000x900x400	2050x950x450	-	1	
7001764	Kutu Tipi / Box Wall Type	2500x1100x400	2550x1150x450	-	1	
7001765	Kutu Tipi / Box Wall Type	2500x900x400	2550x950x450	-	1	
7001766	Kutu Tipi / Box Wall Type	3000x1100x400	3050x1150x450	-	2	
7001767	Kutu Tipi / Box Wall Type	3000x900x400	3050x950x450	-	2	
7001768	Kutu Tipi / Box Wall Type	3500x1100x400	3550x1150x450	-	2	
7001769	Kutu Tipi / Box Wall Type	3500x900x400	3550x950x450	-	2	
7001770	Kutu Tipi / Box Wall Type	4000x1100x400	4050x1150x450	-	2	
7001771	Kutu Tipi / Box Wall Type	4000x900x400	4050x950x450	-	2	
7001772	Kutu Tipi / Box Wall Type	4500x1100x400	4550x1150x450	-	2	
7001773	Kutu Tipi / Box Wall Type	4500x900x400	4550x950x450	-	2	
7001774	Kutu Tipi / Box Wall Type	5000x1100x400	5050x1150x450	-	2	
7001775	Kutu Tipi / Box Wall Type	5000x900x400	5050x950x450	-	2	

Modular Cooker Tops

Wall Type Hood / Davlumbaz Duvar Tip Filtreli



Code Kod	Description Açıklama	Ext. Dim. (mm.) Dış Ölçü (mm.)	Box Dim. (mm.) Koli Ölçü (mm.)	Palette Dim. Palet Ölçüsü	Box Unit Kutu Adedi	U.Price € B.Fiyat €
7001656	Duvar Tipi / Wall Type	1000x1100x400	1050x1150x450	-	1	
7001657	Duvar Tipi / Wall Type	1000x1100x500	1050x1150x550	-	1	
7001680	Duvar Tipi / Wall Type	1000x700x400	1050x750x450	-	1	
7001730	Duvar Tipi / Wall Type	1000x700x500	1050x750x550	-	1	
7001654	Duvar Tipi / Wall Type	1000x900x400	1050x950x450	-	1	
7001731	Duvar Tipi / Wall Type	1000x900x500	1050x950x550	-	1	
7001732	Duvar Tipi / Wall Type	1500x1100x400	1550x1150x450	-	1	
7001660	Duvar Tipi / Wall Type	1500x1100x500	1550x1150x550	-	1	
7001658	Duvar Tipi / Wall Type	1500x700x400	1550x750x450	-	1	
7001733	Duvar Tipi / Wall Type	1500x700x500	1550x750x550	-	1	
7001728	Duvar Tipi / Wall Type	1500x900x400	1550x950x450	-	1	
7001659	Duvar Tipi / Wall Type	1500x900x500	1550x950x550	-	1	
7001734	Duvar Tipi / Wall Type	2000x1100x400	2050x1150x450	-	1	
7001665	Duvar Tipi / Wall Type	2000x1100x500	2050x1150x550	-	1	
7001663	Duvar Tipi / Wall Type	2000x700x400	2050x750x450	-	1	
7001735	Duvar Tipi / Wall Type	2000x700x500	2050x750x550	-	1	
7001647	Duvar Tipi / Wall Type	2000x900x400	2050x950x450	-	1	
7001664	Duvar Tipi / Wall Type	2000x900x500	2050x950x550	-	1	
7001736	Duvar Tipi / Wall Type	2500x1100x400	2550x1150x450	-	1	
7001670	Duvar Tipi / Wall Type	2500x1100x500	2550x1150x550	-	1	
7001667	Duvar Tipi / Wall Type	2500x700x400	2550x750x450	-	1	
7001737	Duvar Tipi / Wall Type	2500x700x500	2550x750x550	-	1	
7001668	Duvar Tipi / Wall Type	2500x900x400	2550x950x450	-	1	
7001669	Duvar Tipi / Wall Type	2500x900x500	2550x950x550	-	1	
7001673	Duvar Tipi / Wall Type	3000x1100x400	3050x1150x450	-	2	
7001674	Duvar Tipi / Wall Type	3000x1100x500	3050x1150x550	-	2	
7001671	Duvar Tipi / Wall Type	3000x700x400	3050x750x450	-	2	

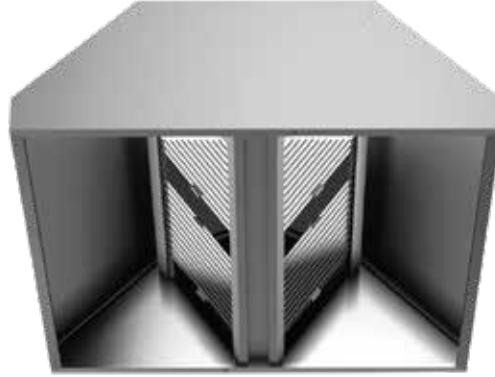
Wall Type Hood / Davlumbaz Duvar Tip Filtreli



Code Kod	Description Açıklama	Ext. Dim. (mm.) Dış Ölçü (mm.)	Box Dim. (mm.) Koli Ölçü (mm.)	Palette Dim. Palet Ölçüsü	Box Unit Kutu Adedi	U.Price € B.Fiyat €
7001738	Duvar Tipi / Wall Type	3000x700x500	3050x750x550	-	2	
7001729	Duvar Tipi / Wall Type	3000x900x400	3050x950x450	-	2	
7001672	Duvar Tipi / Wall Type	3000x900x500	3050x950x550	-	2	
7001739	Duvar Tipi / Wall Type	3500x1100x400	3550x1150x450	-	2	
7001676	Duvar Tipi / Wall Type	3500x1100x500	3550x1150x550	-	2	
7001740	Duvar Tipi / Wall Type	3500x700x400	3550x750x450	-	2	
7001741	Duvar Tipi / Wall Type	3500x700x500	3550x750x550	-	2	
7001742	Duvar Tipi / Wall Type	3500x900x400	3550x950x450	-	2	
7001675	Duvar Tipi / Wall Type	3500x900x500	3550x950x550	-	2	
7001743	Duvar Tipi / Wall Type	4000x1100x400	4050x1150x450	-	2	
7001677	Duvar Tipi / Wall Type	4000x1100x500	4050x1150x550	-	2	
7001744	Duvar Tipi / Wall Type	4000x700x400	4050x750x450	-	2	
7001745	Duvar Tipi / Wall Type	4000x700x500	4050x750x550	-	2	
7001746	Duvar Tipi / Wall Type	4000x900x400	4050x950x450	-	2	
7001747	Duvar Tipi / Wall Type	4000x900x500	4050x950x550	-	2	
7001748	Duvar Tipi / Wall Type	4500x1100x400	4550x1150x450	-	2	
7001678	Duvar Tipi / Wall Type	4500x1100x500	4550x1150x550	-	2	
7001749	Duvar Tipi / Wall Type	4500x700x400	4550x750x450	-	2	
7001750	Duvar Tipi / Wall Type	4500x700x500	4550x750x550	-	2	
7001751	Duvar Tipi / Wall Type	4500x900x400	4550x950x450	-	2	
7001752	Duvar Tipi / Wall Type	4500x900x500	4550x950x550	-	2	
7001753	Duvar Tipi / Wall Type	5000x1100x400	5050x1150x450	-	2	
7001754	Duvar Tipi / Wall Type	5000x1100x500	5050x1150x550	-	2	
7001755	Duvar Tipi / Wall Type	5000x700x400	5050x750x450	-	2	
7001756	Duvar Tipi / Wall Type	5000x700x500	5050x750x550	-	2	
7001757	Duvar Tipi / Wall Type	5000x900x400	5050x950x450	-	2	
7001758	Duvar Tipi / Wall Type	5000x900x500	5050x950x550	-	2	

Modular Cooker Tops

Central Type Hood / Davlumbaz Orta Tip Filtreli



Code Kod	Description Açıklama	Ext. Dim. (mm.) Dış Ölçü (mm.)	Box Dim. (mm.) Koli Ölçü (mm.)	Palette Dim. Palet Ölçüsü	Box Unit Kutu Adedi	U.Price € B.Fiyat €
7004381	Orta Tip / Central Type	1000x1970x400	1050x2020x450	-	1	
7004382	Orta Tip / Central Type	1000x1970x500	1050x2020x550	-	1	
7004383	Orta Tip / Central Type	1000x2470x400	1050x2520x450	-	1	
7004384	Orta Tip / Central Type	1000x2470x500	1050x2520x550	-	1	
7004385	Orta Tip / Central Type	1500x1970x400	1550x2020x450	-	1	
7004386	Orta Tip / Central Type	1500x1970x500	1550x2020x550	-	1	
7004387	Orta Tip / Central Type	1500x2470x400	1550x2520x450	-	1	
7004388	Orta Tip / Central Type	1500x2470x500	1550x2520x550	-	1	
7004389	Orta Tip / Central Type	2000x1970x400	2050x2020x450	-	1	
7004390	Orta Tip / Central Type	2000x1970x500	2050x2020x550	-	1	
7004391	Orta Tip / Central Type	2000x2470x400	2050x2520x450	-	1	
7004392	Orta Tip / Central Type	2000x2470x500	2050x2520x550	-	1	
7004393	Orta Tip / Central Type	2500x1970x400	2550x2020x450	-	1	
7004394	Orta Tip / Central Type	2500x1970x500	2550x2020x550	-	1	
7004395	Orta Tip / Central Type	2500x2470x400	2550x2520x450	-	1	
7004416	Orta Tip / Central Type	2500x2470x500	2550x2520x550	-	1	
7004396	Orta Tip / Central Type	3000x1970x400	3050x2020x450	-	2	
7004397	Orta Tip / Central Type	3000x1970x500	3050x2020x550	-	2	
7004398	Orta Tip / Central Type	3000x2470x400	3050x2520x450	-	2	
7004399	Orta Tip / Central Type	3000x2470x500	3050x2520x550	-	2	
7004400	Orta Tip / Central Type	3500x1970x400	3550x2020x450	-	2	
7004401	Orta Tip / Central Type	3500x1970x500	3550x2020x550	-	2	
7004402	Orta Tip / Central Type	3500x2470x400	3550x2520x450	-	2	
7004403	Orta Tip / Central Type	3500x2470x500	3550x2520x550	-	2	
7004404	Orta Tip / Central Type	4000x1970x400	4050x2020x450	-	2	
7004405	Orta Tip / Central Type	4000x1970x500	4050x2020x550	-	2	
7004406	Orta Tip / Central Type	4000x2470x400	4050x2520x450	-	2	
7004407	Orta Tip / Central Type	4000x2470x500	4050x2520x550	-	2	
7004408	Orta Tip / Central Type	4500x1970x400	4550x2020x450	-	2	
7004409	Orta Tip / Central Type	4500x1970x500	4550x2020x550	-	2	
7004410	Orta Tip / Central Type	4500x2470x400	4550x2520x450	-	2	
7004411	Orta Tip / Central Type	4500x2470x500	4550x2520x550	-	2	
7004412	Orta Tip / Central Type	5000x1970x400	5050x2020x450	-	2	
7004413	Orta Tip / Central Type	5000x1970x500	5050x2020x550	-	2	
7004414	Orta Tip / Central Type	5000x2470x400	5050x2520x450	-	2	
7004415	Orta Tip / Central Type	5000x2470x500	5050x2520x550	-	2	

Hood Filter / Davlumbaz Filtresi



Code Kod	Description Açıklama	Ext. Dim. (mm.) Dış Ölçü (mm.)	Box Dim. (mm.) Koli Ölçü (mm.)	Palette Dim. Palet Ölçüsü	Box Unit Kutu Adedi	U.Price € B.Fiyat €
6005500	Davlumbaz Filtresi / Hood Filter	400x500x25	420x520x200	-	8	
7000467	Davlumbaz Filtresi / Hood Filter	500x500x25	520x520x240	-	10	

Dishwashing *Bulařıkxhane*



- Dishwasher Tanks
- Complemantries

Bulařık Makinesi Tankları
Tamamlayıcı Malzemeler

Dishwasher Tanks / *BYM Tankları*

AISI 304 Stainless Steel without Lid / *Paslanmaz Çelik AISI 304*
 Custom made production, consult for pricing.
Özel üretim, fiyat için bilgi alın.
 min. order quantity, 100 pieces / *min. 100 adet sipariş.*



Code Kod	Description Açıklama	Ext. Dim. (mm.) Dış Ölçü (mm.)	Box Dim. (mm.) Koli Ölçü (mm.)	Palette Dim. Palet Ölçüsü	Box Unit Kutu Adedi	U.Price € B.Fiyat €
6005314	Hood Type DW Tank, 40 L.	632x651x456	230x555x340	-	-	-
6006366	Hood Type DW Tank, 30 L.	632x651x386	230x555x270	-	-	-
6007048	Hood Type DW Tank, B1000	-	-	-	-	-
6007049	Hood Type DW Tank, B1300	-	-	-	-	-
6007050	Undercounter DW Tank, B45	-	-	-	-	-
6007051	Undercounter DW Tank, B50	-	-	-	-	-

Undercounter DW. Panel / *Tezgahaltı BYM Tank Sacı*

AISI 304 Stainless Steel without Lid / *Paslanmaz Çelik AISI 304*
 Custom made production, consult for pricing.
Özel üretim, fiyat için bilgi alın.
 min. order quantity, 200 pieces / *min. 200 adet sipariş.*



Code Kod	Description Açıklama	Ext. Dim. (mm.) Dış Ölçü (mm.)	Box Dim. (mm.) Koli Ölçü (mm.)	Palette Dim. Palet Ölçüsü	Box Unit Kutu Adedi	U.Price € B.Fiyat €
6005333	Printed Sheet For UC DW	1960x625	-	-	-	-

Printed Tank for Double Jacket UC DW / *Çift Cidarlı Gövde Sacı*

Code Kod	Description Açıklama	Ext. Dim. (mm.) Dış Ölçü (mm.)	Box Dim. (mm.) Koli Ölçü (mm.)	Palette Dim. Palet Ölçüsü	Box Unit Kutu Adedi	U.Price € B.Fiyat €
6005334	Printed Body Sheet For Double Jacket UC DW	1700x530	-	-	-	-
6005336	Printed Tank For Double Jacket UC DW	690x660x118	-	-	-	-
6005337	Printed Inner Door Panel For Double Jacket UC DW	640x535	-	-	-	-
6005331	Printed Inner Top Panel For Double Jacket UC DW	590x580	-	-	-	-
6005327	Printed Sheet For Glasswasher	1700x485	-	-	-	-

Boiler for Dishwasher Tanks / *BYM Tanklar İçin Boyler*

AISI 304 Stainless Steel without Lid / *Paslanmaz Çelik AISI 304*
 Custom made production, consult for pricing.
Özel üretim, fiyat için bilgi alın.
 min. order quantity, 200 pieces / *min. 200 adet sipariş.*

Code Kod	Description Açıklama	Ext. Dim. (mm.) Dış Ölçü (mm.)	Box Dim. (mm.) Koli Ölçü (mm.)	Palette Dim. Palet Ölçüsü	Box Unit Kutu Adedi	U.Price € B.Fiyat €
6007047	Boiler for Hood Type DW, 7L	-	-	-	-	-
6007046	Boiler for Undercounter DW, 4L	-	-	-	-	-

Dishwashing

Handwash Basins / El Yıkama Eviyeleri

AISI 304 Stainless Steel without Lid / Paslanmaz Çelik AISI 304

Ready to use all included (one or two water inlet) - Knee Control

Herşey dahil, tak-kullan (tek su girişli, çift su girişli) - Dizden Kumandalı



Code Kod	Description Açıklama	Ext. Dim. (mm.) Dış Ölçü (mm.)	Box Dim. (mm.) Koli Ölçü (mm.)	Palette Dim. Palet Ölçüsü	Box Unit Kutu Adedi	U.Price € B.Fiyat €
6005185	MARS Tek Giriş / Single Inlet	500x400x520	530X530X530	-	1	
6005202	MOON Tek Giriş / Single Inlet MOON	400x400x260	410X420X280	-	1	
6005196	EASY Tek Giriş / Single Inlet MOON	400x350x380	410X360X390	-	1	
6005187	MARS Çift Giriş / Double Inlet	500x400x520	530X530X530	-	1	
6005186	MOON Çift Giriş / Double Inlet	400x400x260	410X420X280	-	1	
6005193	EASY Çift Giriş / Double Inlet	400x350x380	410X360X390	-	1	
6005208	MARS Tek Giriş / Single Inlet + Soap Disp.	500x400x520	530X530X530	-	1	
6005209	MOON Tek Giriş / Single Inlet MOON + Soap Disp.	400x400x260	410X420X280	-	1	
6005210	EASY Tek Giriş / Single Inlet MOON + Soap Disp.	400x350x380	410X360X390	-	1	
6005211	MARS Çift Giriş / Double Inlet + Soap Disp.	500x400x520	530X530X530	-	1	
6005212	MOON Çift Giriş / Double Inlet + Soap Disp.	400x400x260	410X420X280	-	1	
6005213	EASY Çift Giriş / Double Inlet + Soap Disp.	400x350x380	410X360X390	-	1	



Handwash Basin Foot Control / Ayaktan Kumandalı El Yıkama Eviyesi

AISI 304 Stainless Steel without Lid / Paslanmaz Çelik AISI 304



Code Kod	Description Açıklama	Ext. Dim. (mm.) Dış Ölçü (mm.)	Box Dim. (mm.) Koli Ölçü (mm.)	Palette Dim. Palet Ölçüsü	Box Unit Kutu Adedi	U.Price € B.Fiyat €
6005203	45x50 Tek Giriş / Single Inlet	500x450x850	500x460x890	-	1	
6005192	45x50 Çift Giriş / Double Inlet	500x450x850	500x460x890	-	1	
6005214	45x50 Tek Giriş / Single Inlet + Soap Disp.	500x450x850	500x460x890	-	1	
6005215	45x50 Çift Giriş / Double Inlet + Soap Disp.	500x450x850	500x460x890	-	1	
6005974	41x47 Mobile Handwash Basin	435x470x1357	510x910x530	-	1	
6006431	40x43 Çift Giriş / Double Inlet + Pedal	400x430x1330	-	-	1	

Janitorial Sink Unit / Paspas Yıkama

AISI 304 Stainless Steel without Lid / Paslanmaz Çelik AISI 304



Code Kod	Description Açıklama	Ext. Dim. (mm.) Dış Ölçü (mm.)	Box Dim. (mm.) Koli Ölçü (mm.)	Palette Dim. Palet Ölçüsü	Box Unit Kutu Adedi	U.Price € B.Fiyat €
6005190	Janitorial Sink Unit	500x600x900	510x710x950	-	1	
6005201	Janitorial Sink Unit	500x700x900	510x710x950	-	1	
6005216	Janitorial Sink Unit + Soap Disp.	500x600x900	510x710x950	-	1	
6005217	Janitorial Sink Unit + Soap Disp.	500x700x900	510x710x950	-	1	

Dishwashing

Handwash Stations / El Yıkama İstasyonları



Code Kod	Description Açıklama	Ext. Dim. (mm.) Dış Ölçü (mm.)	Box Dim. (mm.) Koli Ölçü (mm.)	Palette Dim. Palet Ölçüsü	Box Unit Kutu Adedi	U.Price € B.Fiyat €
6007056	Handwash Station 1x(2/3-100), 60x40, Single	-	-	-	1	
6007057	Handwash Station 1x(2/3-100), 60x40, Double	-	-	-	1	
6007054	Handwash Station 2x(2/3-100), 100x40, Single	-	-	-	1	
6007055	Handwash Station 2x(2/3-100), 100x40, Double	-	-	-	1	
6007052	Handwash Station 3x(2/3-100), 140x40, Single	-	-	-	1	
6007053	Handwash Station 3x(2/3-100), 140x40, Double	-	-	-	1	



Pre-Rinse Unit Table Mounted, Wall Mounted, With Reeling Arm Ön Yıkama Duşu Tezgah Monte, Duvara Monte, Tamburlu

AISI 304 Stainless Steel without Lid / Paslanmaz Çelik AISI 304



Code Kod	Description Açıklama	Ext. Dim. (mm.) Dış Ölçü (mm.)	Box Dim. (mm.) Koli Ölçü (mm.)	Palette Dim. Palet Ölçüsü	Box Unit Kutu Adedi	U.Price € B.Fiyat €
7000686	Pre-Rinse Unit, Table Mounted	-	355x810x75	-	1	
7000688	Pre-Rinse Unit, Table Mounted, With Faucet	-	355x810x75	-	1	
7000689	Pre-Rinse Unit, Wall Mounted	-	355x810x75	-	1	
7000690	Pre-Rinse Unit, Wall Mounted, With Faucet	-	355x810x75	-	1	
7000684	Pre-Rinse Unit, With Reeling Arm, 12 m.	-	520x520x190	-	1	
2000428	Overflow Pipe, 25 cm.	-	-	-	1	
2000429	Overflow Pipe, 30 cm.	-	-	-	1	
2000430	Draining Pipe	-	-	-	1	



Bakery Hamur Kazanları



- Dishwasher Tanks
- Complantries

Bulaşık Makinesi Tankları
Tamamlayıcı Malzemeler

Dough Kneader Bowls / Hamur Yoğurma Kazanları

AISI 304 Stainless Steel / Paslanmaz Çelik AISI 304
Bowl for dough machines / Hamur Kazanları



Code Kod	Description Açıklama	Ext. Dim. (mm.) Dış Ölçü (mm.)	Box Dim. (mm.) Koli Ölçü (mm.)	Palette Dim. Palet Ölçüsü	Box Unit Kutu Adedi	U.Price € B.Fiyat €
6004178	Dough Kneader Bowl	Ø360x200	400x800x700	-	10	-
6004194	Dough Kneader Bowl	Ø500x280	550x660x550	-	3	-
6004195	Dough Kneader Bowl	Ø600x320	550x660x610	-	2	-
6004179	Dough Kneader Bowl	Ø750x350	-	-	-	-
6004180	Dough Kneader Bowl	Ø850x430	-	-	-	-
6004196	Dough Kneader Bowl	Ø900x450	-	-	-	-

Spiral D. Kneader Bowl / Spiral Hamur Kazanı

AISI 304 Stainless Steel / Paslanmaz Çelik AISI 304
Bowl for dough machines / Hamur Kazanları



Code Kod	Description Açıklama	Ext. Dim. (mm.) Dış Ölçü (mm.)	Box Dim. (mm.) Koli Ölçü (mm.)	Palette Dim. Palet Ölçüsü	Box Unit Kutu Adedi	U.Price € B.Fiyat €
6004183	Spiral D. Kneader Bowl	Ø400x260	460x570x890	-	6	-
6004197	Spiral D. Kneader Bowl	Ø500x290	550x660x610	-	3	-
6004186	Spiral D. Kneader Bowl	Ø600x310	550x660x610	-	2	-
6004187	Spiral D. Kneader Bowl	Ø700x380	-	-	-	-
6004189	Spiral D. Kneader Bowl	Ø800x410	-	-	-	-

Planetary Mixer Bowl / Planet Mikser Kazanı

AISI 304 Stainless Steel / Paslanmaz Çelik AISI 304
Bowl for dough machines / Hamur Kazanları



Code Kod	Description Açıklama	Ext. Dim. (mm.) Dış Ölçü (mm.)	Box Dim. (mm.) Koli Ölçü (mm.)	Palette Dim. Palet Ölçüsü	Box Unit Kutu Adedi	U.Price € B.Fiyat €
6004171	Mixer Bowl	Ø300x300	460x890x500	-	2	-
6004172	Mixer Bowl	Ø360x360	460x890x500	-	2	-
6004173	Mixer Bowl	Ø400x400	460x890x500	-	2	-
6004175	Mixer Bowl	Ø430x430	540x570x890	-	2	-

Mrk. / HQ.: Topçular Mah. Ferhatpaşa Cad. No: 4D Eyüpsultan - İstanbul / TÜRKİYE
Fab. / Fac.: Makine İhtisas O.S.B. 8. Sok. No: 3 Dilovası Gebze - Kocaeli / TÜRKİYE
T: +90 444 77 40 - F: +90 212 612 69 12

bilgeinox.com.tr  [bilgeinox](https://www.linkedin.com/company/bilgeinox)  [bilgeinox](https://www.facebook.com/bilgeinox)  [bilge.inox](https://www.instagram.com/bilge.inox)  [bilge_inox](https://www.twitter.com/bilge_inox)